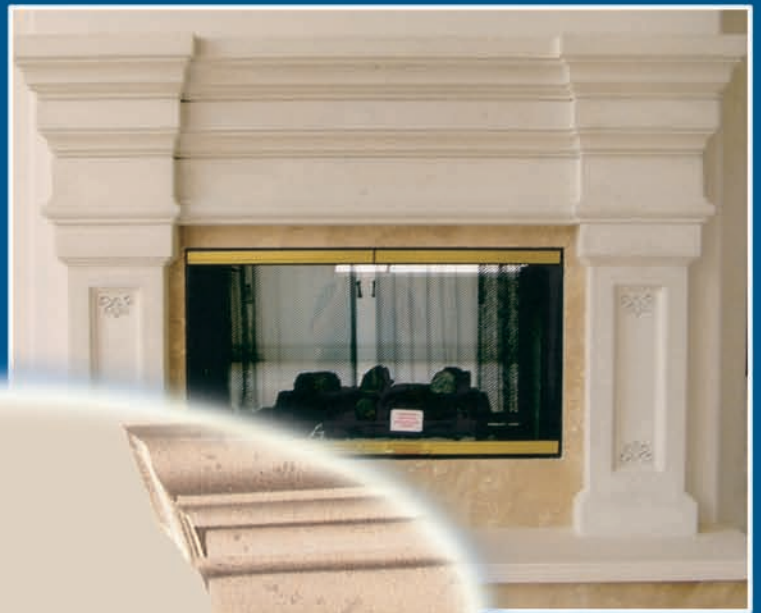


# INTERIORS



# SIGNS - MONUMENT WALLS



PRECISION FOAM SHAPE PRODUCTS

3202 Factory Drive  
Pomona, CA 91768-3220  
(909)-598-3856 FAX (909)-598-1491  
E-mail: vefoinc@aol.com  
Website: vefo-foamshapes.com



PRECISION FOAM SHAPE PRODUCTS

*RESIDENTIAL - COMMERCIAL - EXTERIOR - INTERIOR*



*GOLDEN NUGGET  
GRAND AWARD WINNING  
DESIGN OF 2006  
WAILEA BEACH VILLAS • MAUI, HAWAII*





*RESIDENTIAL*





*WINDOW SURROUND*



*ARCH TRIM*



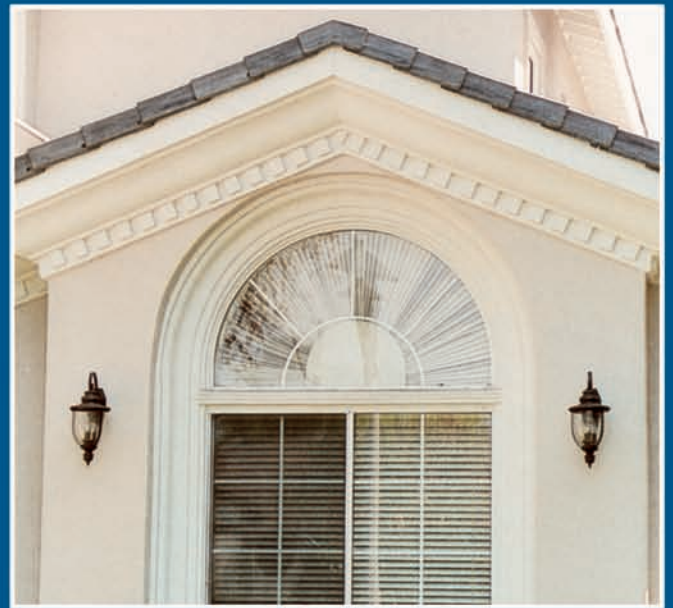
*QUOINS*



*COLUMNS*



*ARCHED WINDOW*



*BALUSTERS*



*PILASTERS - WALL CAPS*



*CHIMNEY CAPS*



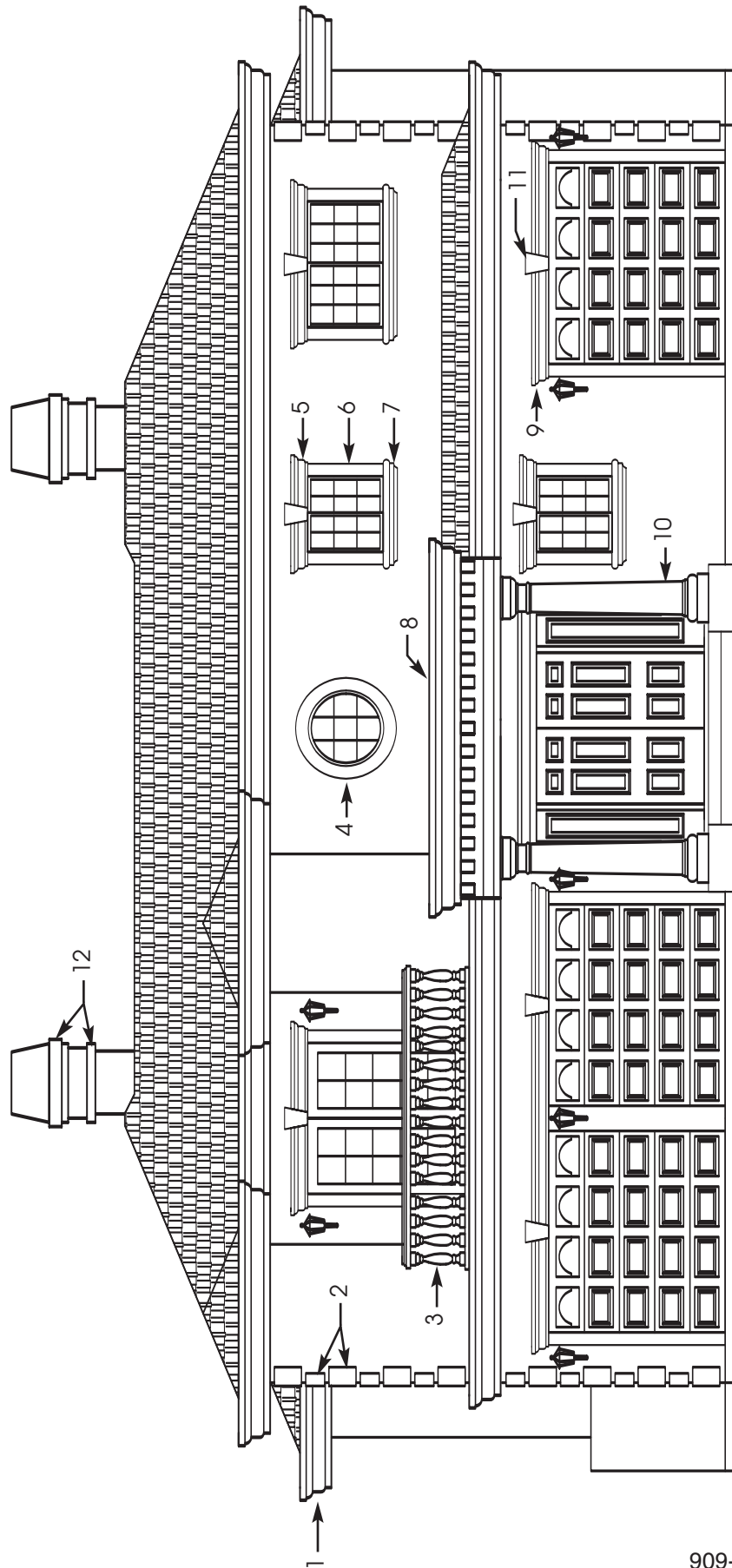
*HALF-COLUMN PLANT-ONS*



# TYPICAL FOAM APPLICATIONS

## TYPICAL FOAM APPLICATIONS

- 1. EAVE MOULDING
- 2. QUOINS
- 3. BALUSTERS
- 4. CIRCULAR SURROUND
- 5. WINDOW HEADER
- 6. WINDOW SIDE TRIM
- 7. WINDOW SILL
- 8. ENTRY CANOPY/HEADER
- 9. GARAGE DOOR HEADER
- 10. COLUMNS
- 11. KEYSTONE
- 12. CHIMNEY DETAIL



Design by:  
 Sohail Barsum, Architect, AIA  
 Tel: 818 597-1851  
 E-mail: bar1919@aol.com

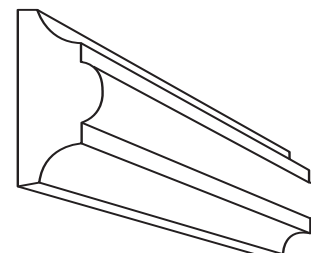
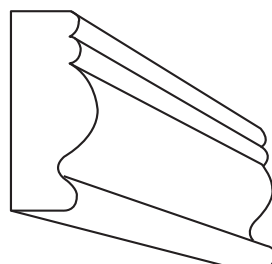
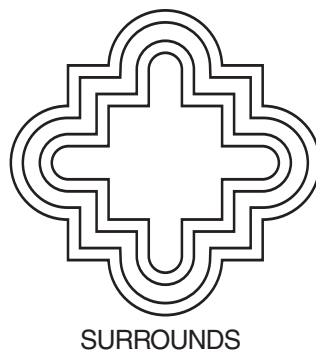
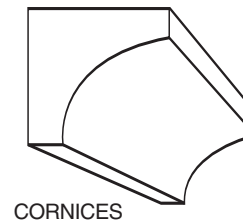
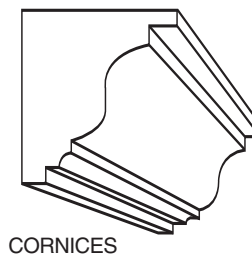
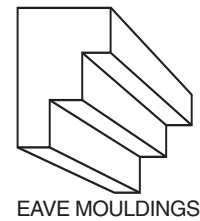
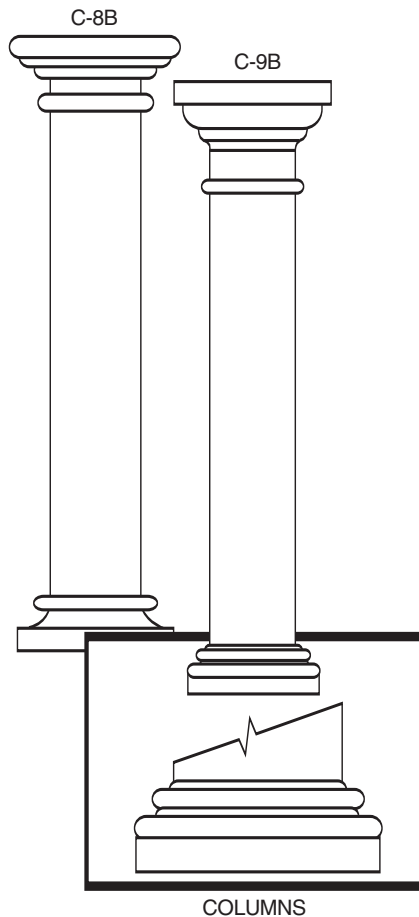
**FRONT ELEVATION**  
 SCALE: 1/4"=10"



# APPLICATION

## Architectural Shapes in Foam

- Cove Mouldings
- Crown Mouldings
- Door / Window Mouldings
- Eave Mouldings
- Cornices
- Columns / Cylinders
- Corbels
- Arches
- Plantons
- Parapets
- Pop-Outs
- Sills
- Pot Shelves
- Balusters
- Pediments
- Pilasters
- Keystones
- Quoins
- Belly Bands
- Skirts
- Quartrefoils
- Facades / Store Fronts
- Letters / Numbers
- Logos
- Soffits
- Half Round / Qtr. Round
- Sheets / Blocks
- Formliners / Scuppers
- 2x4, 2x6, etc.
- Monument Signs



### WHY FOAM?

- Low Cost
- Low Maintenance
- Dimensionally Stable
- Freedom of Design
- Easy to Handle
- Easy to Install

### WHY VEFO?

- Quality Products
- Quality Service
- Years of Experience

*An Industry Leader Since 1980. We Offer The Finest In Foam Trim Products And Services*

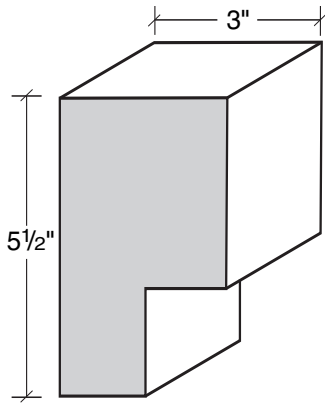
FAX or MAIL your design to us for quick quote services.

- Minimum Order: \$50 on standard shapes \$100 on custom shapes
- Lead Time: Variable
- FOB: Pomona, CA
- Normal Material Length: 8 ft.
- Normal Density: 1 pound per cu. ft. (Higher Density Available)

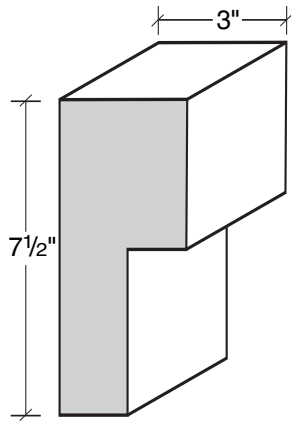


909-598-3856  
FAX 909-598-1491

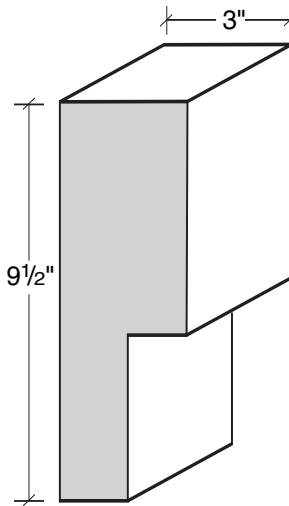
# MID-BAND / WINDOW-DOOR / MOULDING DETAILS



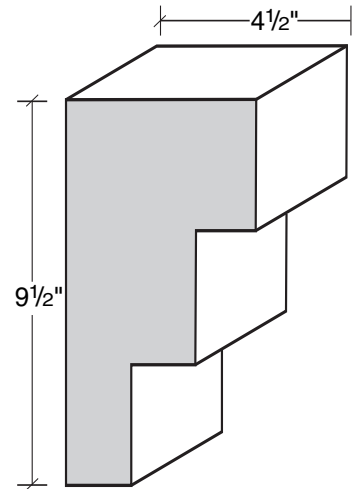
SE1



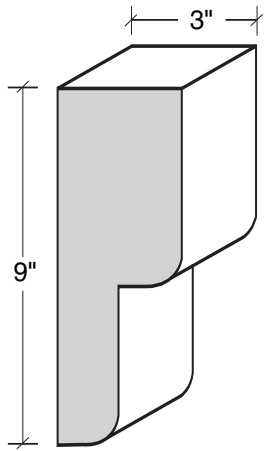
SE2



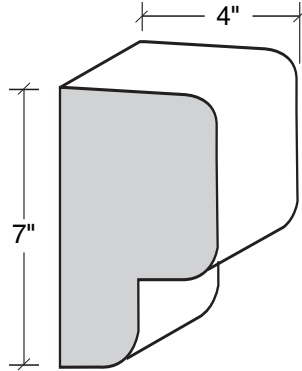
SE3



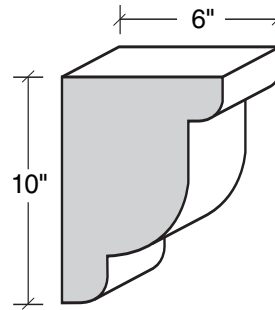
SE4



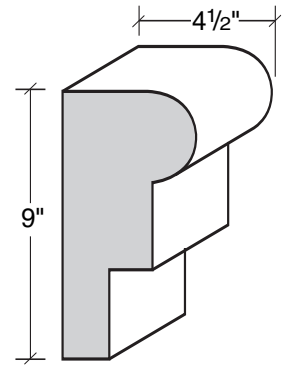
SE5



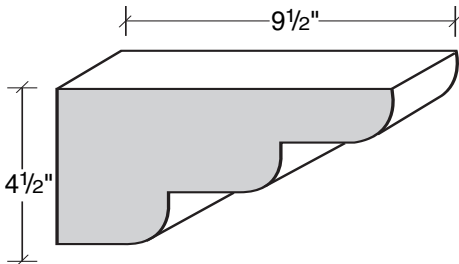
SE6



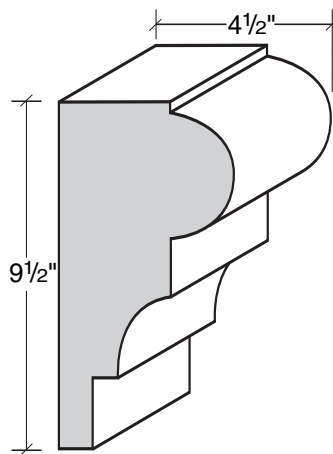
SE7



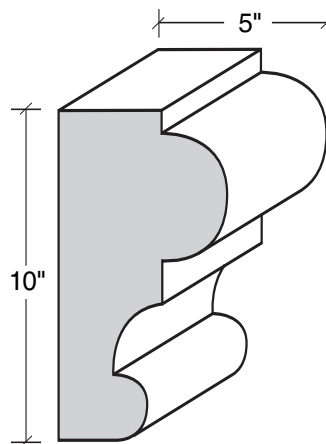
SE8



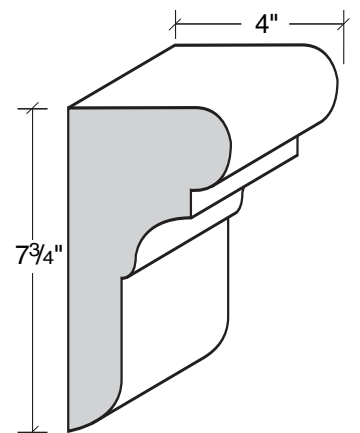
SE9



S1



S2



S3



ALSO AVAILABLE IN LITE-CAST STONE FINISH

909-598-3856  
FAX 909-598-1491



# INSTALLATION

Many foam projects are being coated with one of the numerous synthetic Exterior Insulation and finish systems being marketed today, such as those manufactured by Sto®, Dryvit®, Senergy®, Omega®, etc.\*

The foam is attached to the brown coat using the synthetic wall system base coat material as an adhesive, and allowed to dry for 24 hours. After drying, the same base coat material is troweled directly onto the foam shape, with a fiberglass mesh embedded into the base coat for improved physical integrity and durability. Allow at least 2" of extra mesh around the edges to attach above and below the foam shape. Again, let dry for 24 hours. The stucco finish coat is then applied to the entire wall and foam shape as usual.

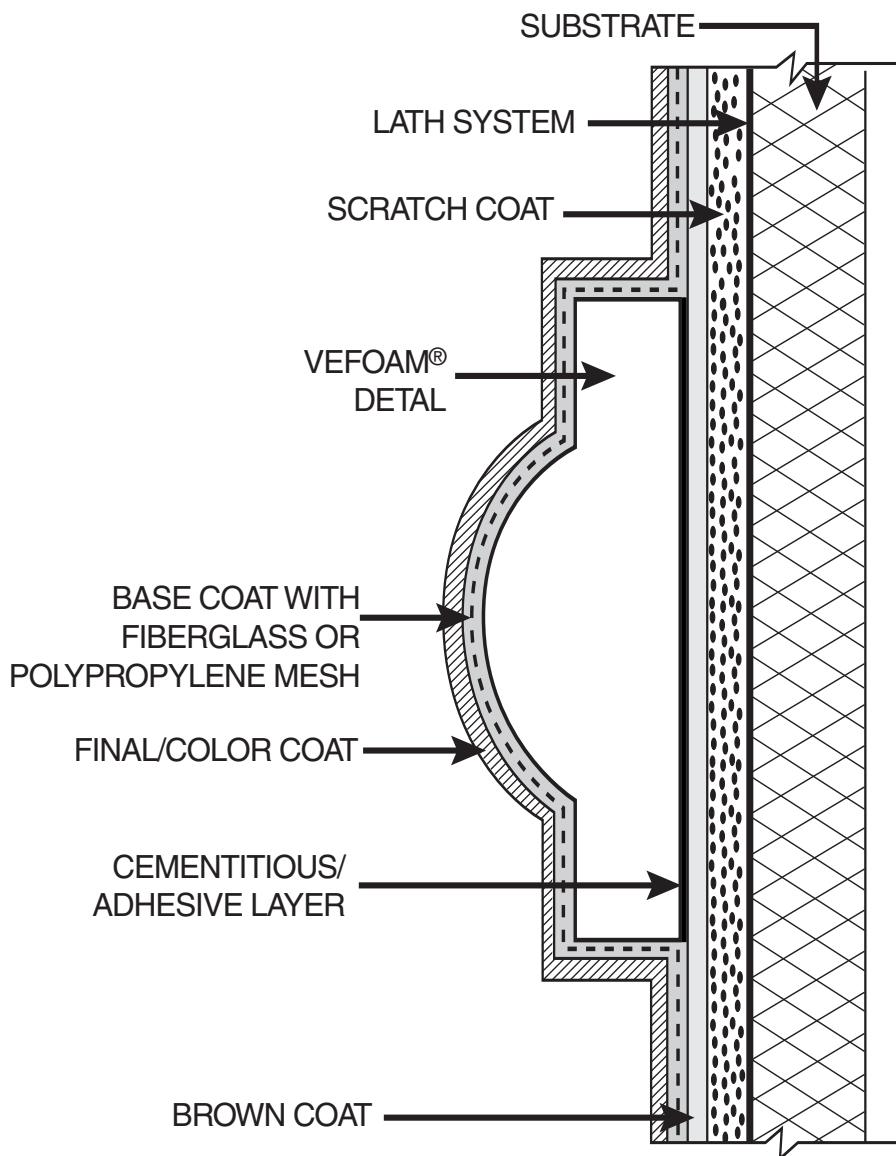
Rather than applying a standard stucco finish coat to the foam shape after it has been primed with the mesh and synthetic base coat, the final step can be completed with application of a synthetic stucco/color coat. (Other finishes can also be obtained through the use of paint, Portland cement, etc. over the base coat.) Use of a synthetic base coat is ideal for shapes with fine details, as the coating thickness is approximately 1/4" or less, allowing the plaster to easily retain the design.

\*Other material suppliers include LA HABRA, HIGHLAND AND MERLEX

Here at VEFO, Inc., we are frequently asked how to install and finish VEFOAM® architectural shapes. The above information has been compiled to detail the most commonly used method of foam installation and finishing and is a method which has proven to be very successful. It is important to remember that VEFOAM® cut foam provides the shape itself, but the impact resistance and durability comes from the coating materials applied to it. It is also important to remember that foam shapes are designed to be decorative and are not meant to be load-bearing nor to support human weight.



## Synthetic Systems



We at VEFO, Inc., hope the information given on this page will be helpful. It is based on information provided by numerous Southern California commercial plasterers and wall systems manufacturers, as well as on observation of jobs using VEFOAM® shapes. The information is offered for the user's consideration, investigation and verification. We do not warrant the results obtained.

In all cases, VEFO, Inc., recommends that you consult your local wall systems suppliers/manufacturers for

complete installation and finishing instructions. Information given in this brochure is provided without charge and no warranty, expressed or implied, is given. Conditions of use of VEFOAM® are beyond the control of VEFO, Inc. and no liability or obligation is assumed by VEFO, Inc., for assistance rendered. It is the buyer's responsibility to be aware of local building codes regarding the use of foam products and to comply with such codes accordingly.



# MEASUREMENT SPECIFICATIONS

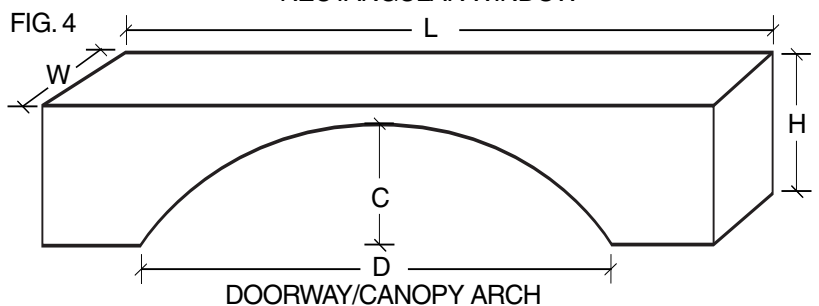
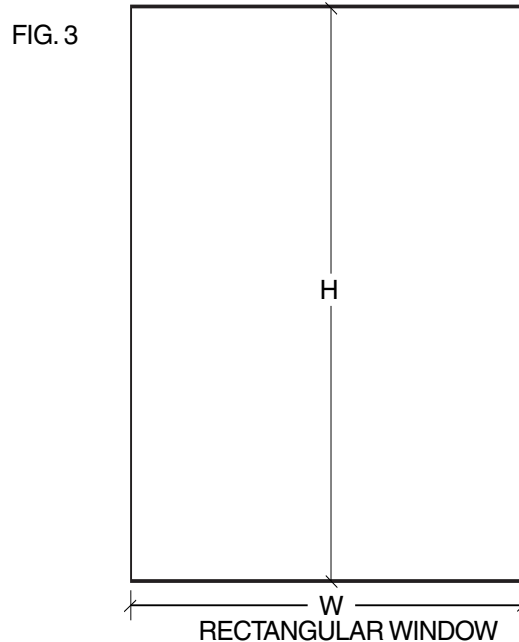
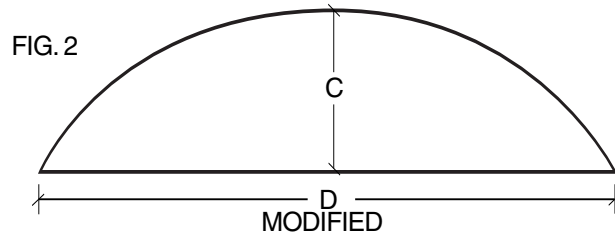
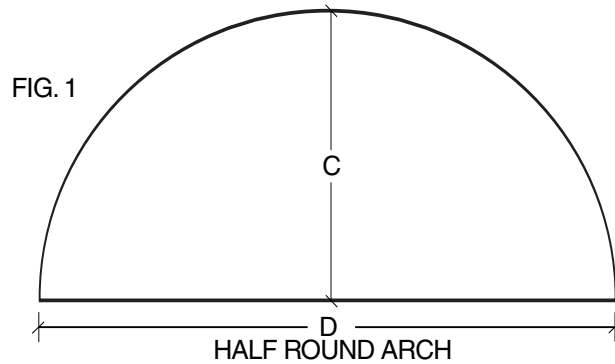
## ARCHED WINDOWS

**DIAMETER/TRAVEL LINE:** Measure the exact distance "D" from each outside edge of the window frame (Figs. 1 & 2).

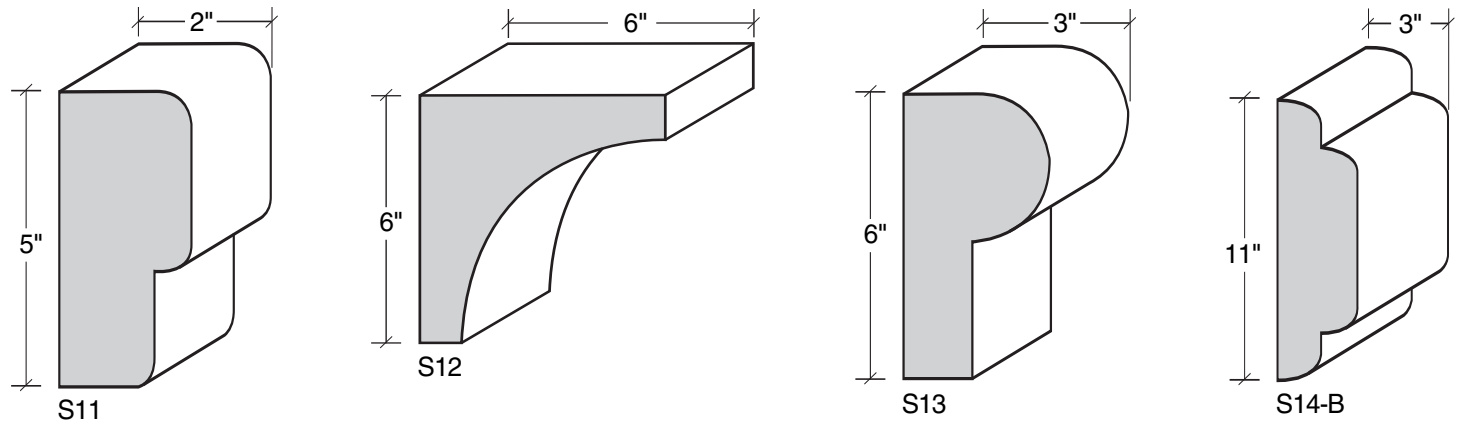
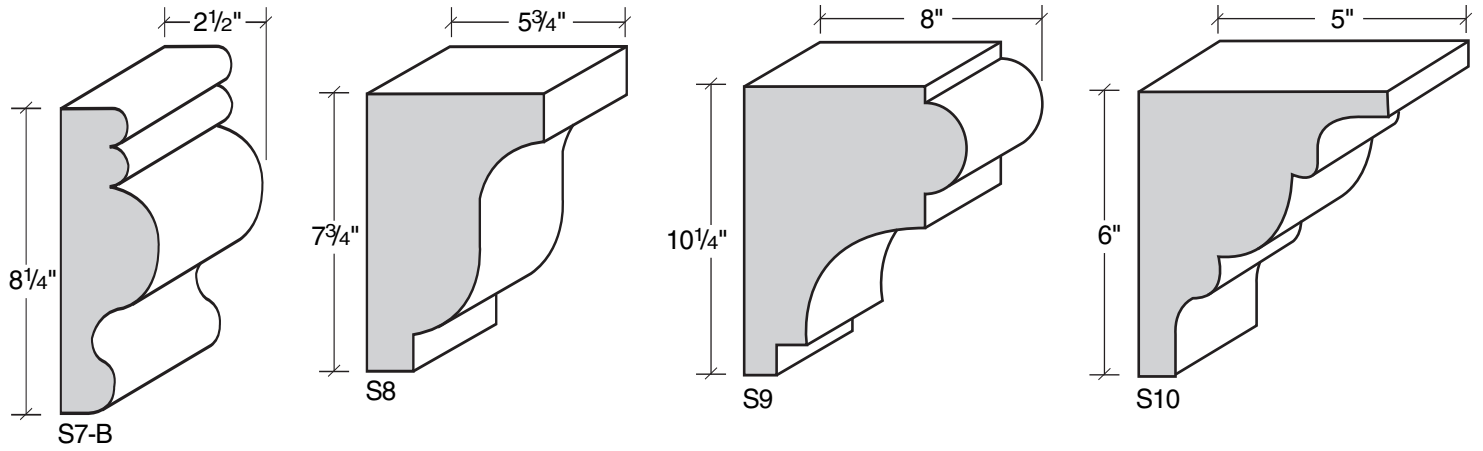
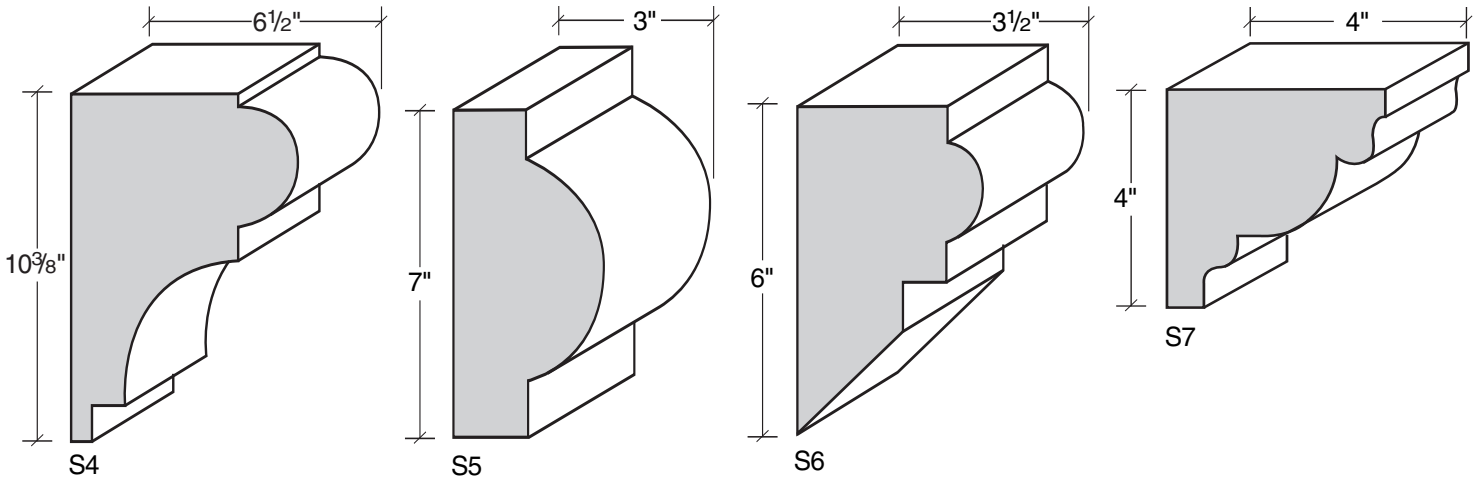
**CENTER LINE/RISE:** Measure the line "C" from the center of the diameter (travel line) to the top outside edge of the arch frame (Figs. 1 & 2).

**SQUARE/RECTANGULAR WINDOWS:** Measure the exact width "W" and height "H" from outside edge to outside edge of the window frame (Fig. 3).

**DOORWAY/CANOPY ARCHES:** Measure the diameter (travel line) "D", the center line "C" from the center of the diameter, the overall length "L", the height "H" and the width "W" (Fig. 4).



# MID-BAND / WINDOW-DOOR / MOULDING DETAILS

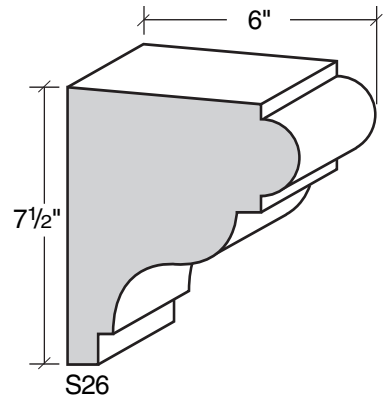
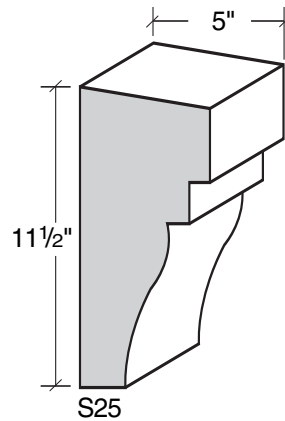
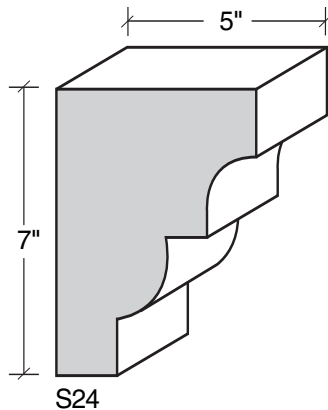
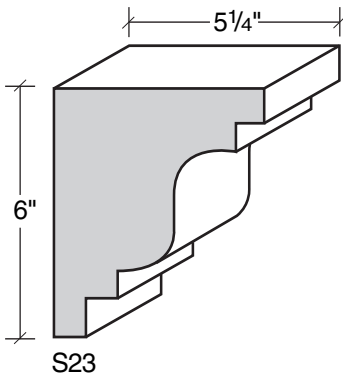
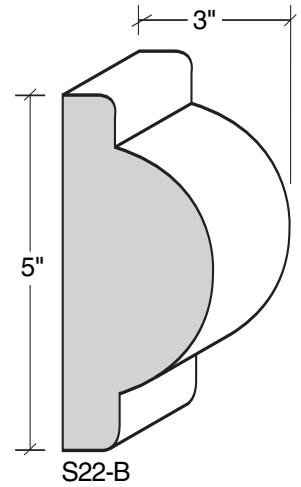
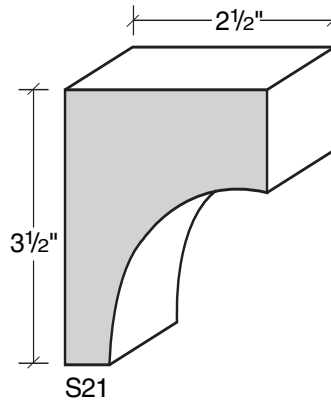
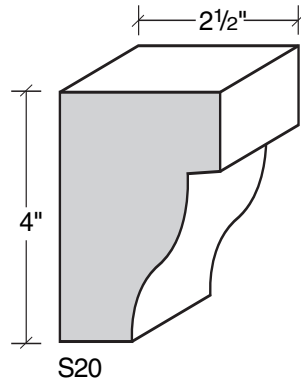
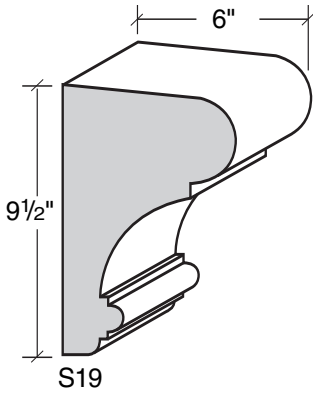
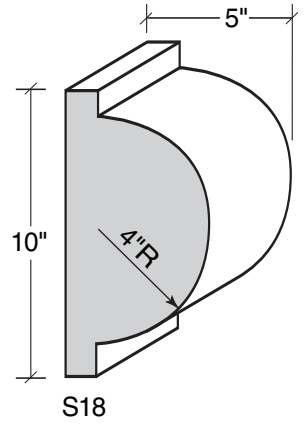
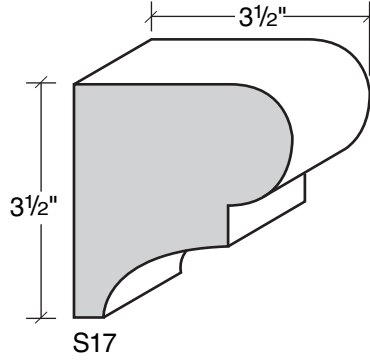
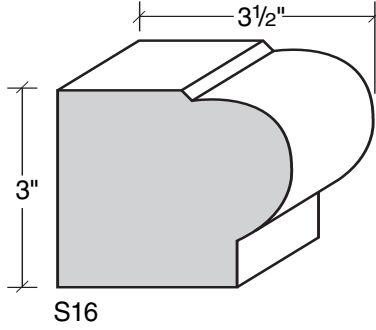
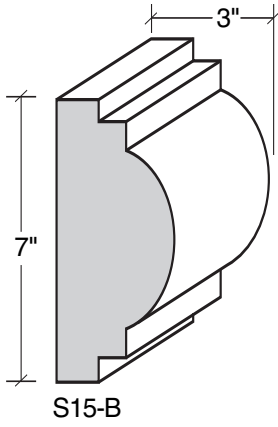


ALSO AVAILABLE IN LITE-CAST STONE FINISH

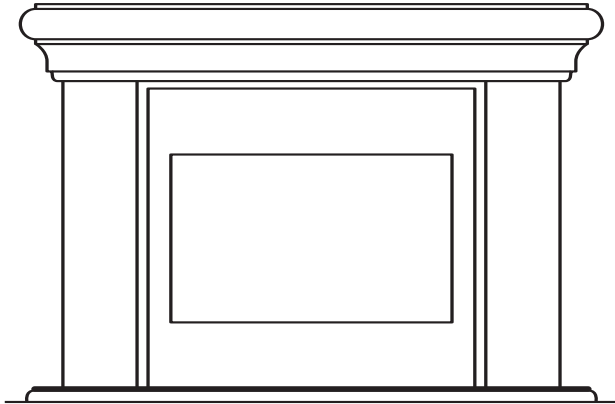
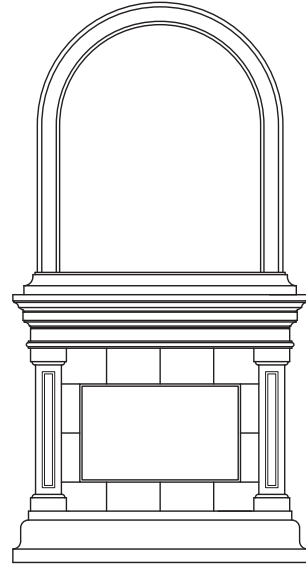
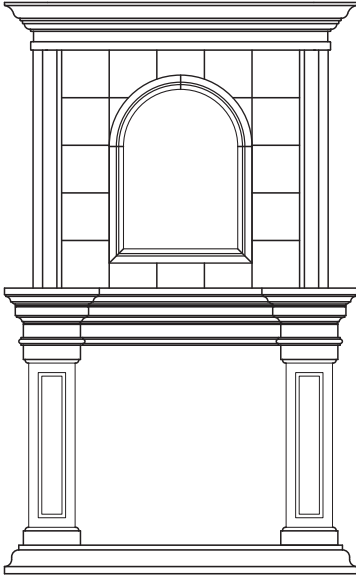
909-598-3856  
FAX 909-598-1491



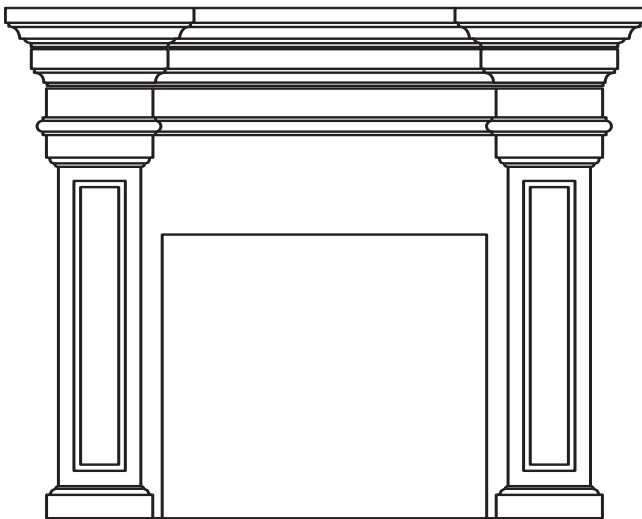
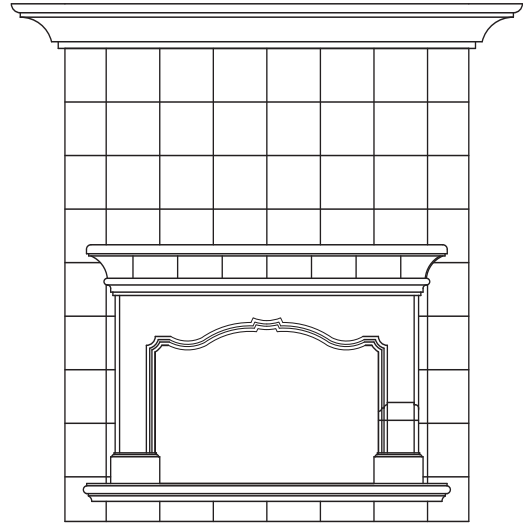
# MID-BAND / WINDOW-DOOR / MOULDING DETAILS



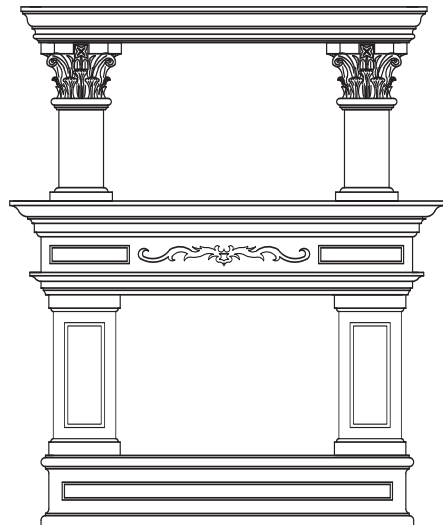
AVAILABLE ONLY IN LITE-CAST STONE FINISH



FS1



FS3





AVAILABLE IN FOAM ONLY, BASE OR SMOOTH COATED FOAM, OR LITE-CAST STONE FINISH



B-1

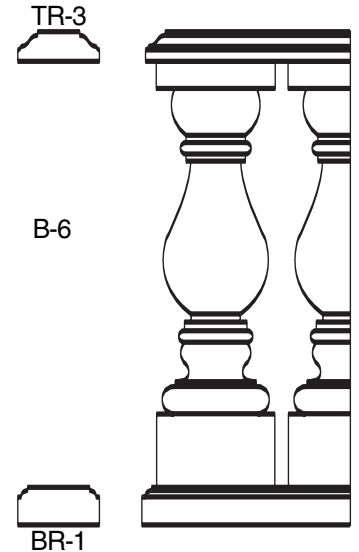
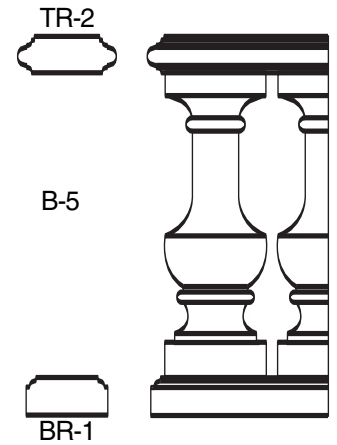
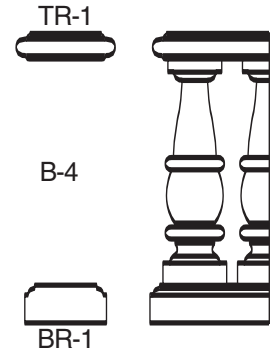
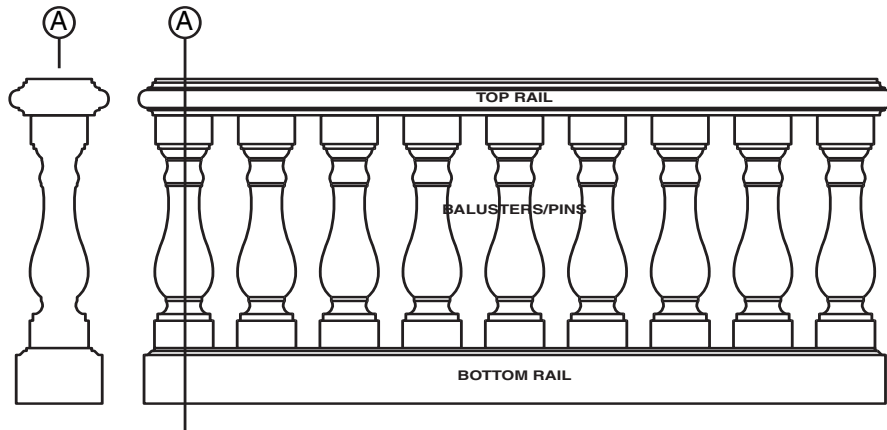
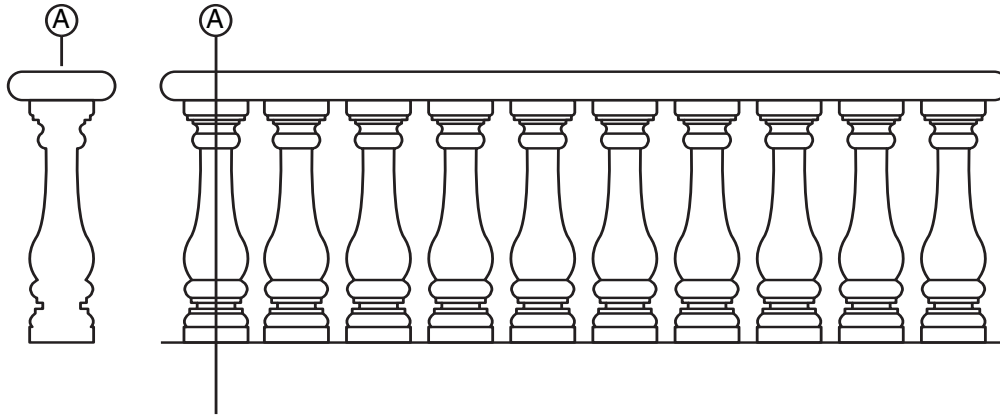


B-2



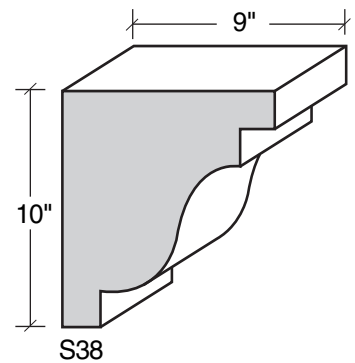
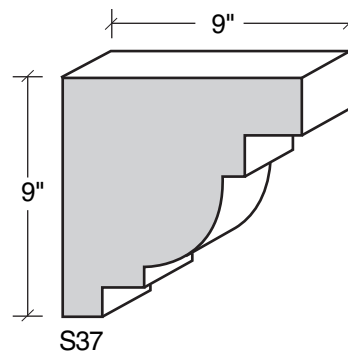
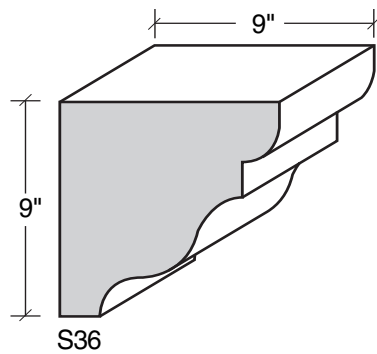
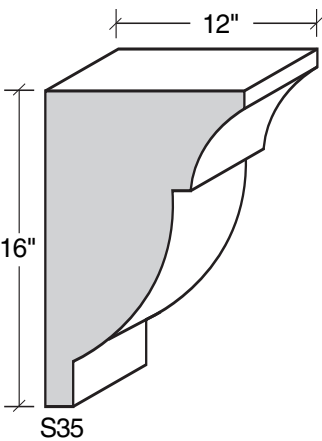
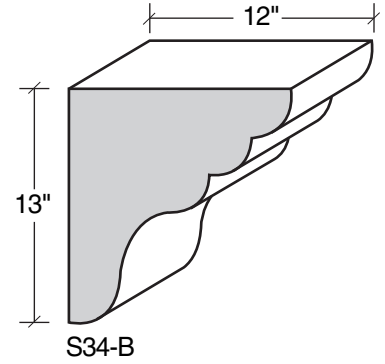
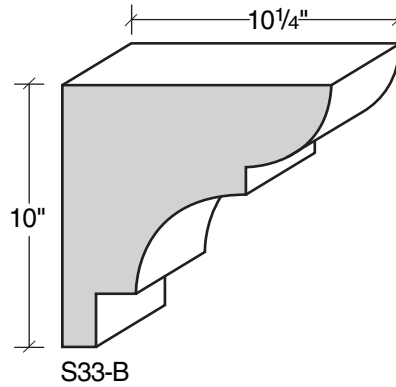
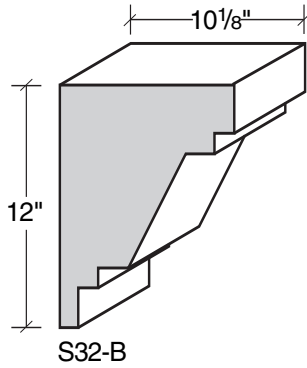
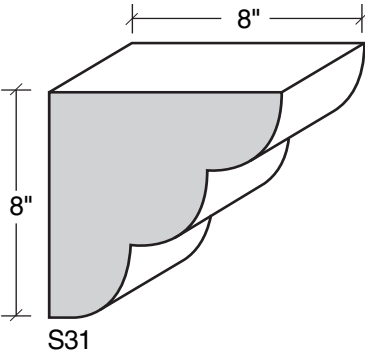
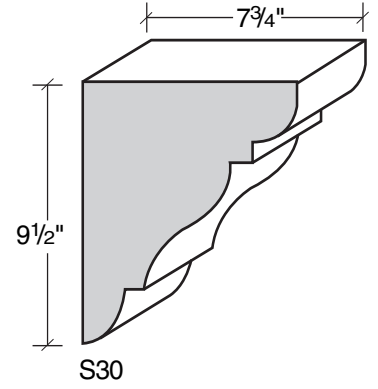
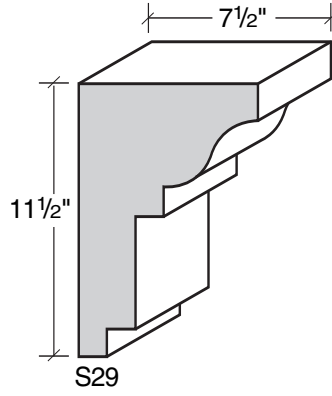
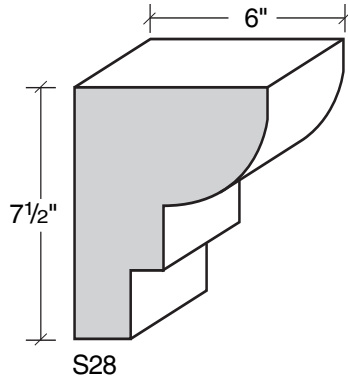
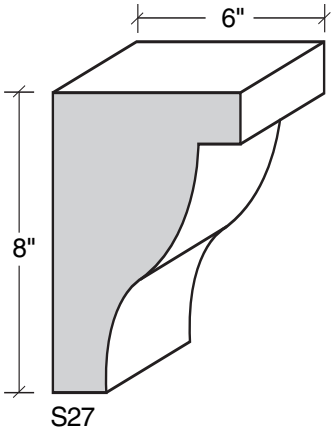
B-3

B-3 ALSO AVAILABLE IN SOLID CAST CONCRETE



## BALUSTER ASSEMBLIES

# MID-BAND / WINDOW-DOOR / MOULDING DETAILS

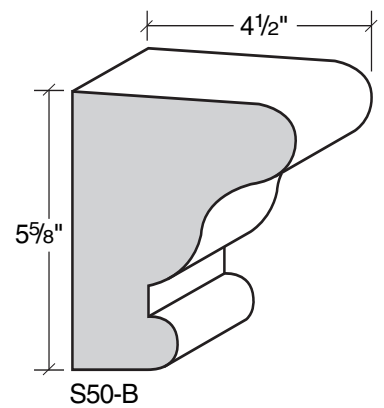
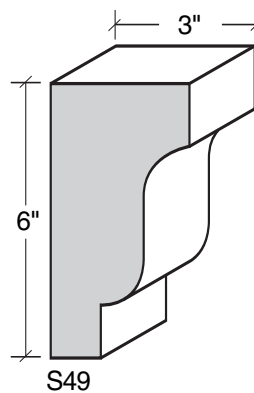
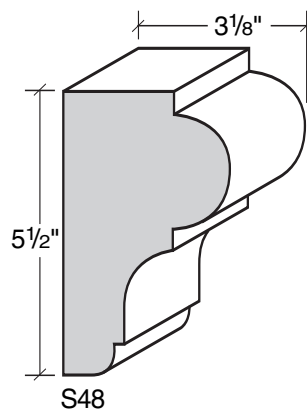
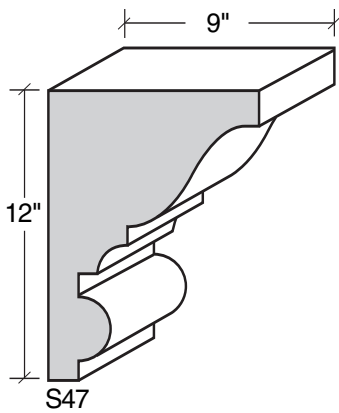
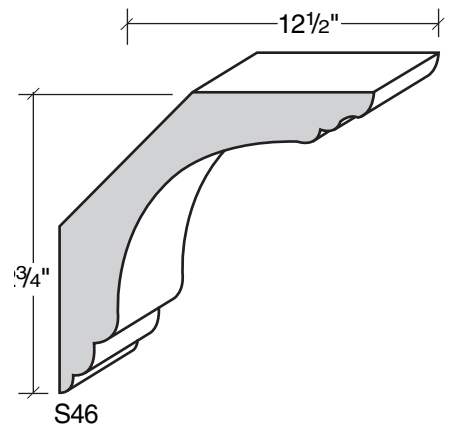
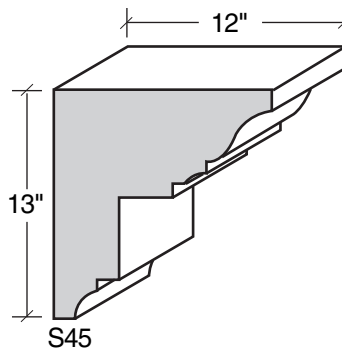
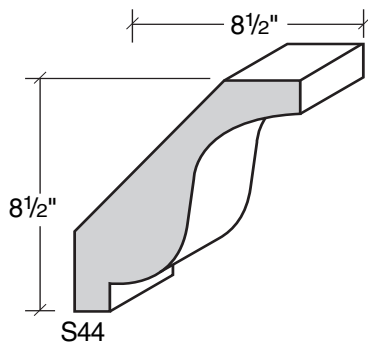
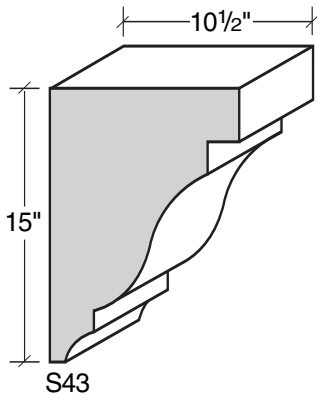
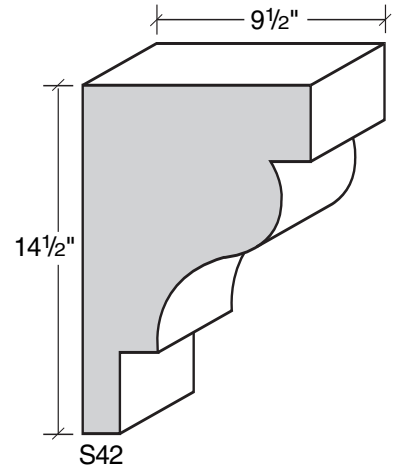
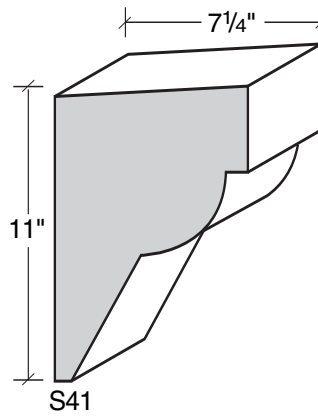
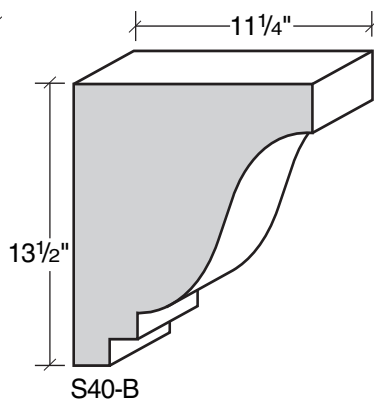
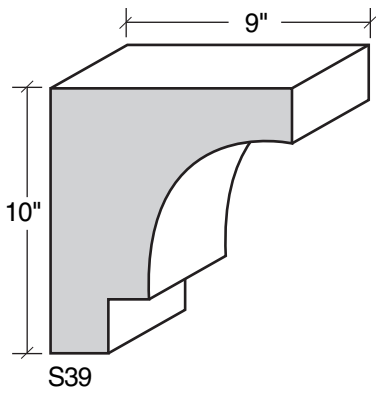


ALSO AVAILABLE IN LITE-CAST STONE FINISH

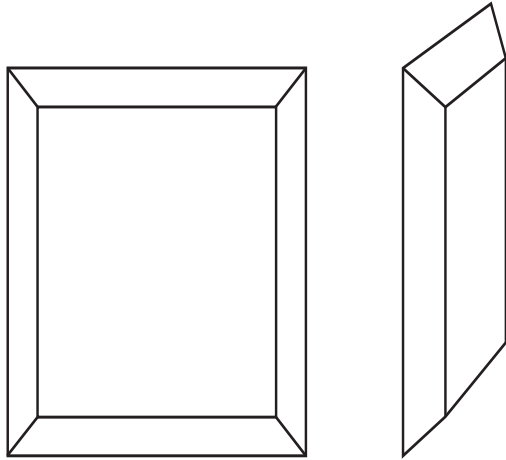
909-598-3856  
FAX 909-598-1491



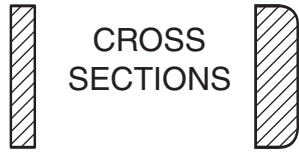
# MID-BAND / WINDOW-DOOR / MOULDING DETAILS



# SPECIALTY VEFOAM® PRODUCTS

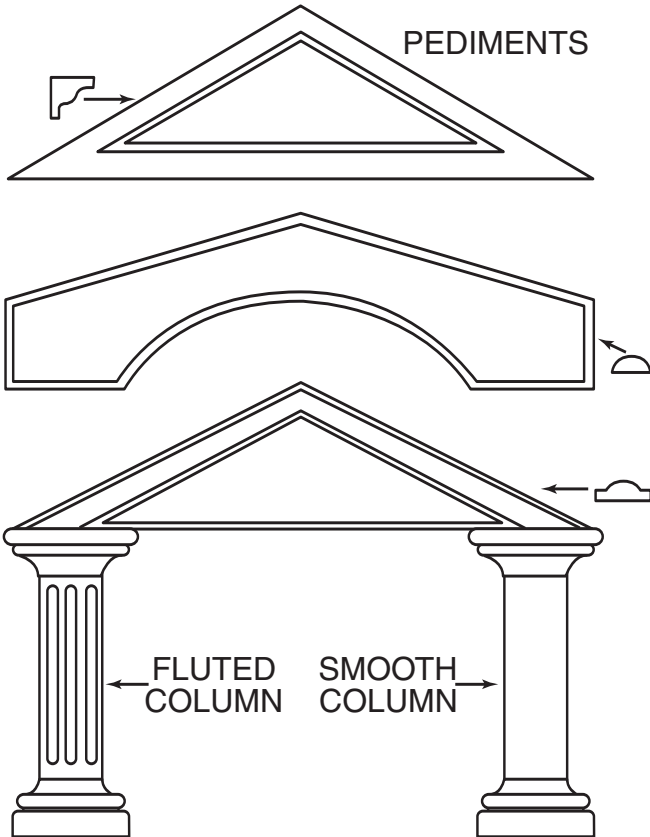
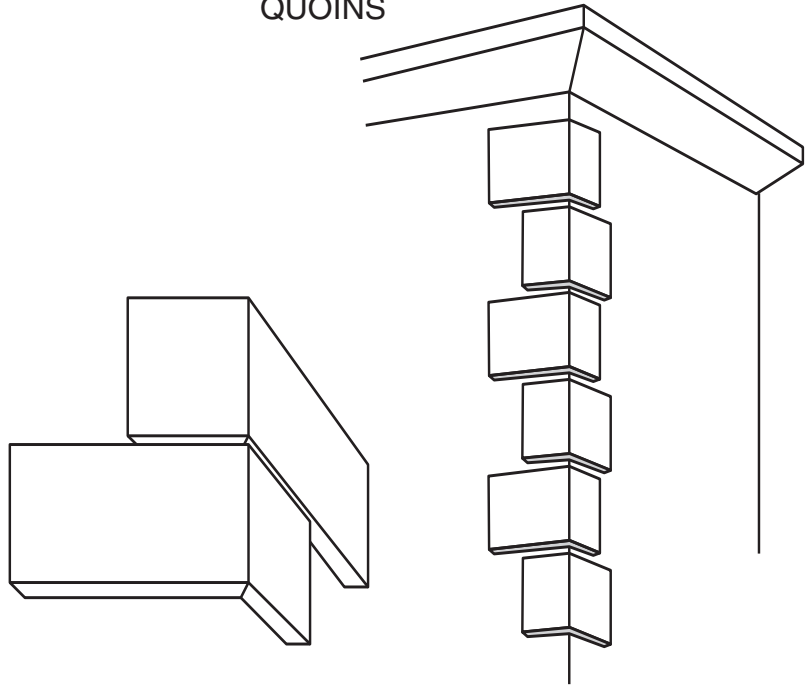


AVAILABLE IN STRAIGHT  
OR RADIAL FRONT EDGES



CROSS  
SECTIONS

QUOINS



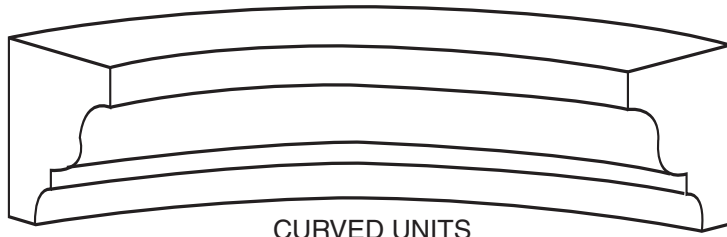
PEDIMENTS

FLUTED  
COLUMN

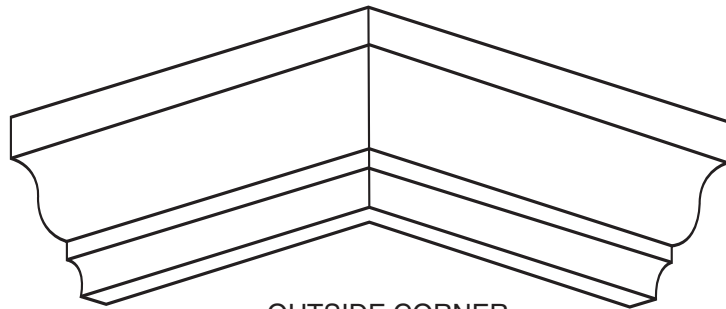
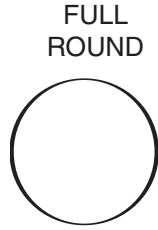
SMOOTH  
COLUMN

QUOIN  
PANELS

# SPECIALTY VEFOAM® PRODUCTS

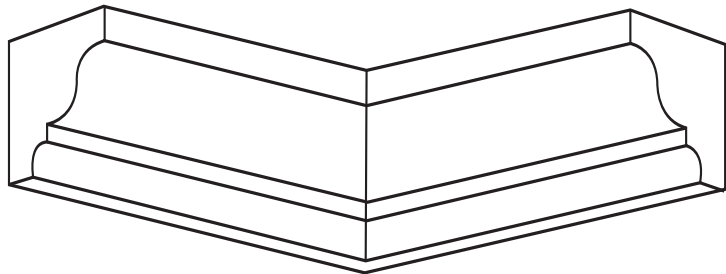
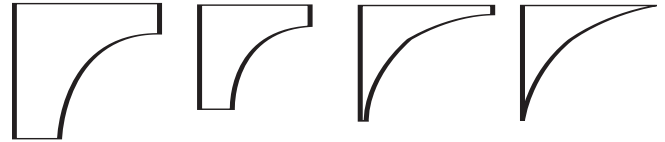


CURVED UNITS  
(INSIDE AND OUTSIDE)



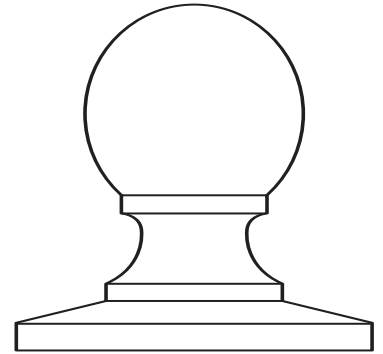
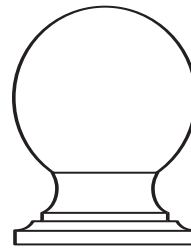
OUTSIDE CORNER

COVES



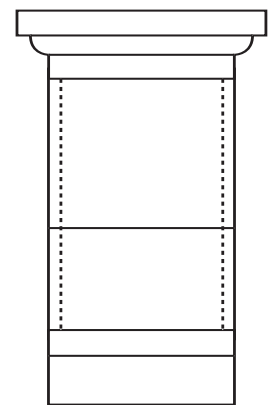
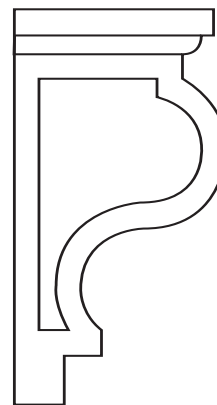
INSIDE CORNER

## FINIALS



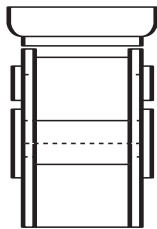
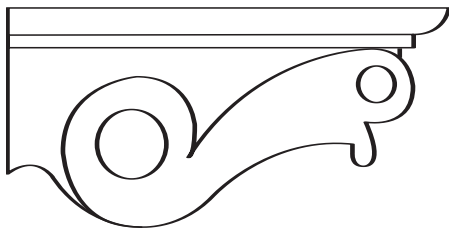
SIDE

FRONT



SIDE

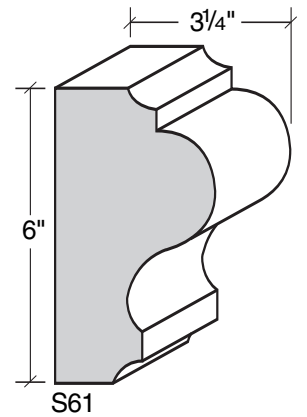
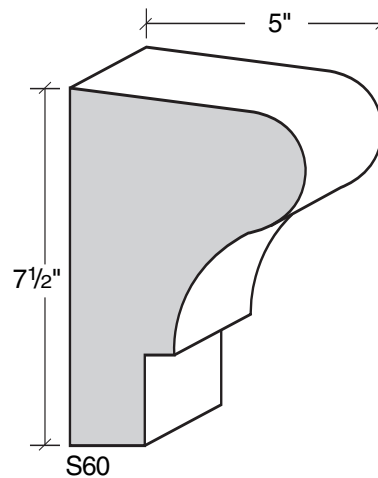
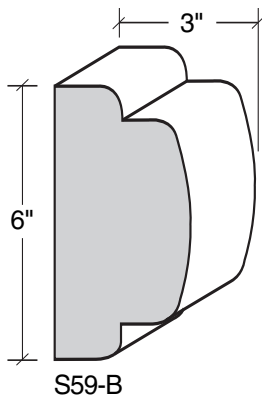
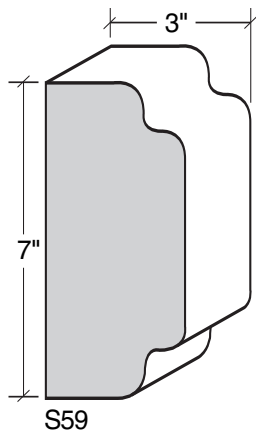
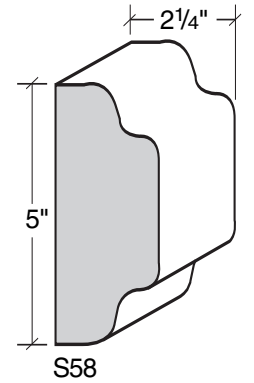
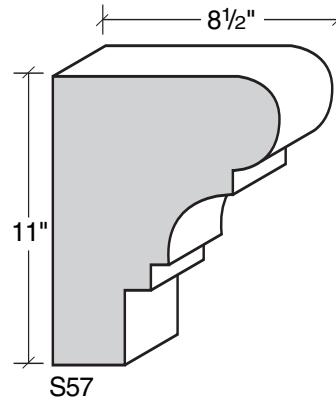
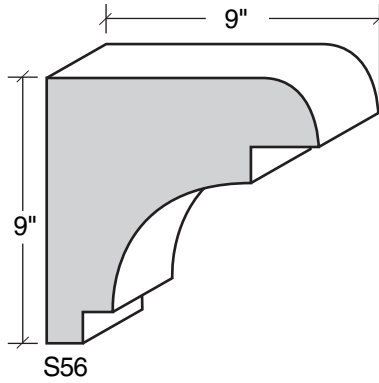
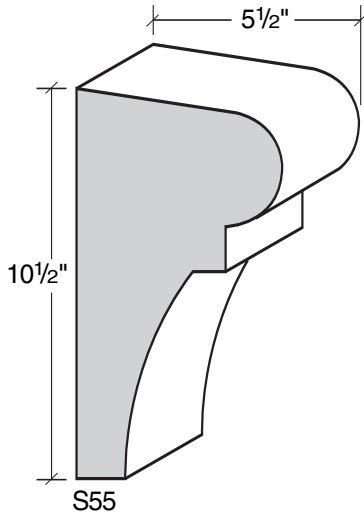
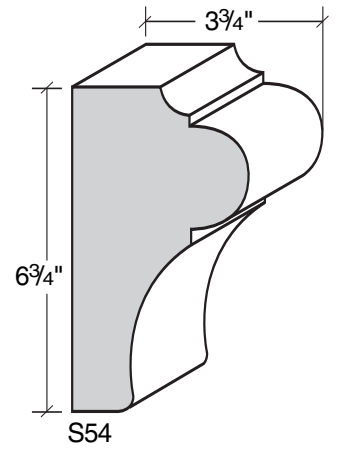
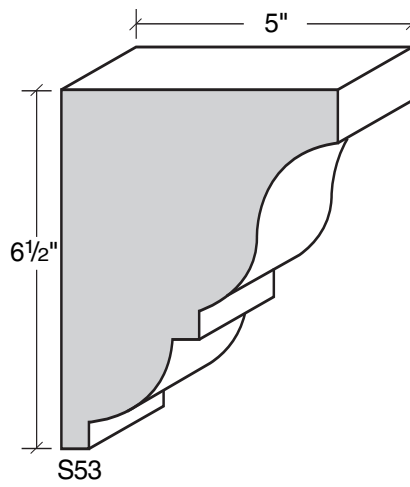
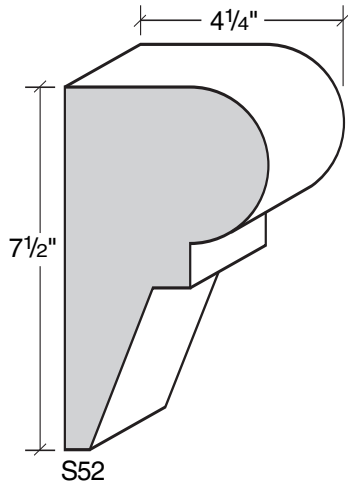
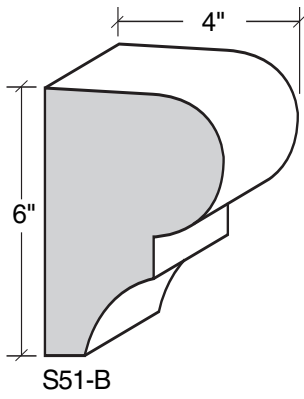
FRONT



CORBEL

CORBEL

# MID-BAND / WINDOW-DOOR / MOULDING DETAILS

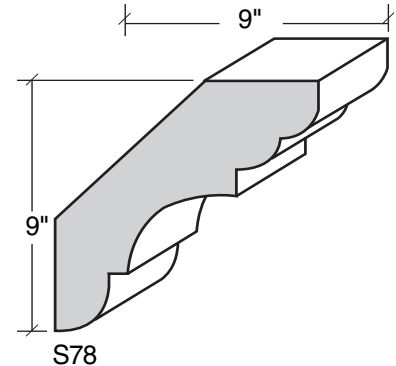
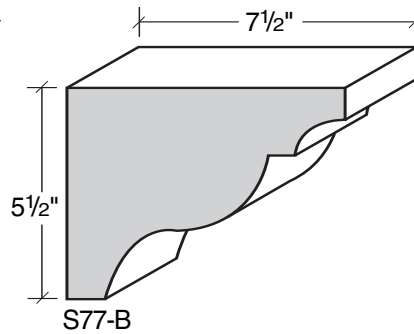
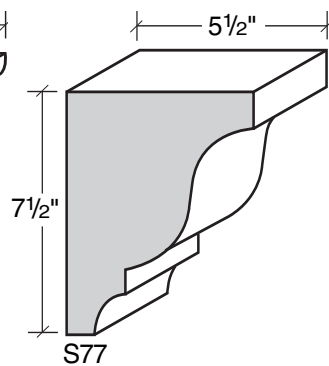
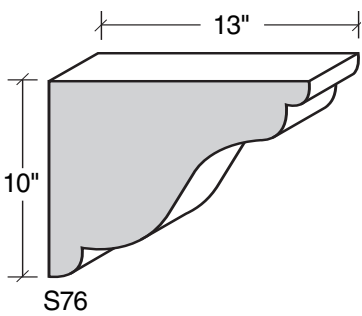
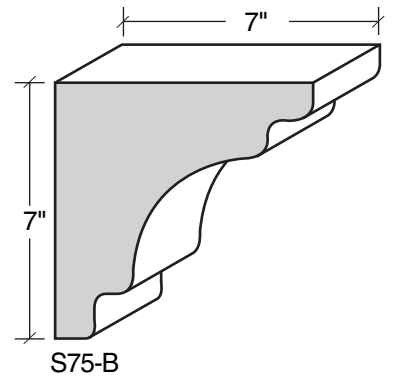
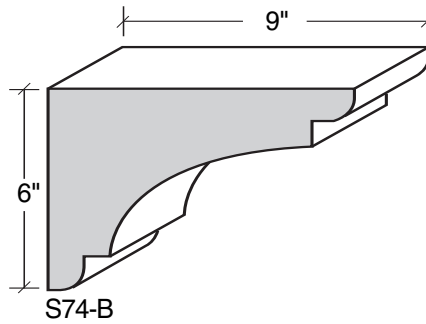
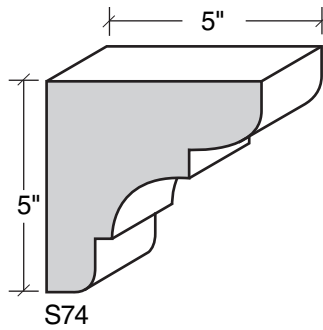
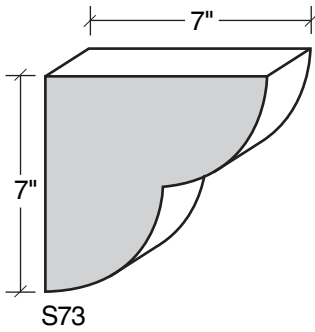
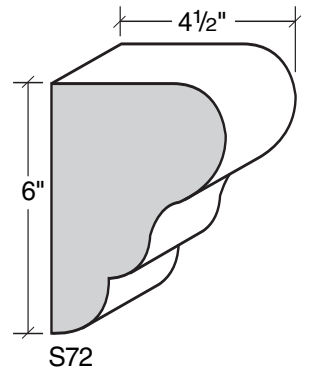
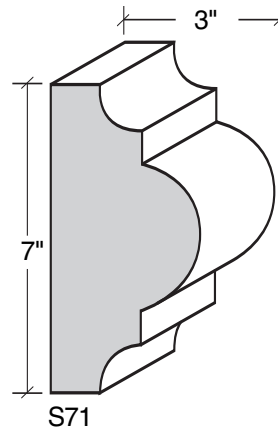
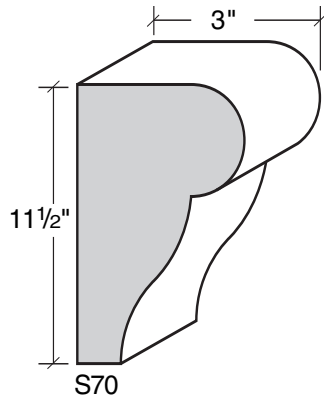
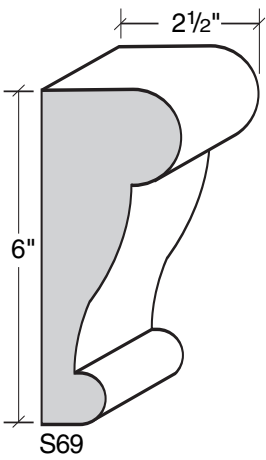
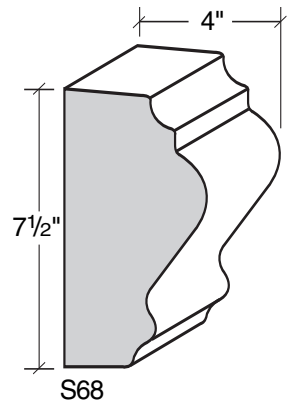
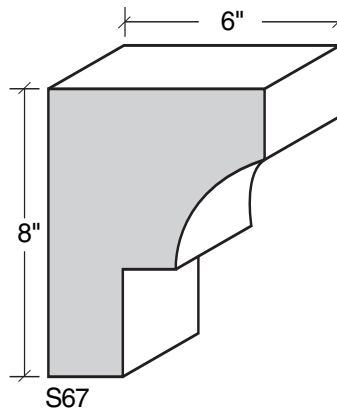
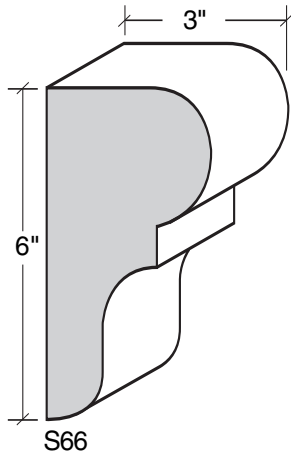
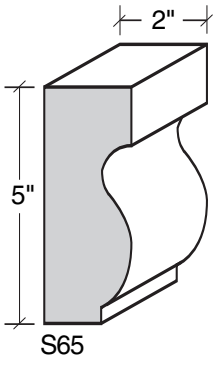


ALSO AVAILABLE IN LITE-CAST STONE FINISH

909-598-3856  
FAX 909-598-1491



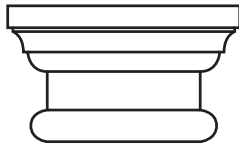
# MID-BAND / WINDOW-DOOR / MOULDING DETAILS



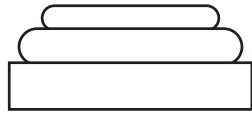
ALSO AVAILABLE IN LITE-CAST STONE FINISH

909-598-3856  
FAX 909-598-1491

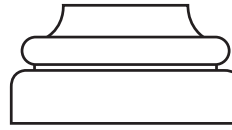
# COLUMN CAPS/BASES



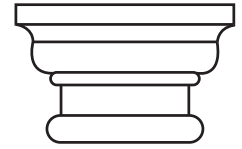
C1B



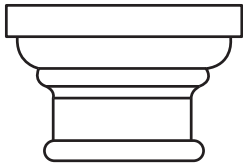
C2



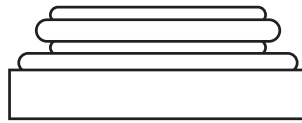
C3-B



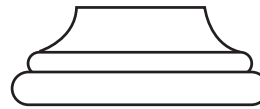
C4



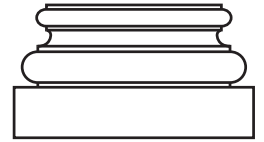
C9



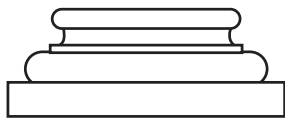
C10B



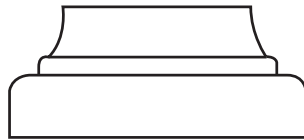
C11B



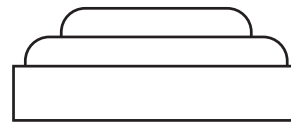
C12B



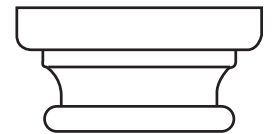
C13B



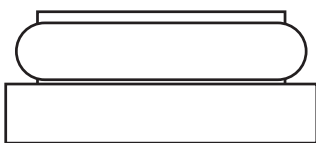
C15B



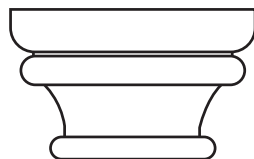
C16B



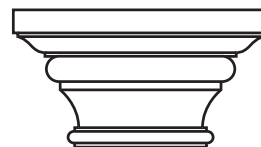
C17B



C19B



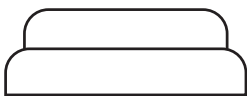
C20B



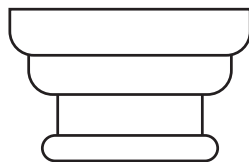
C21B



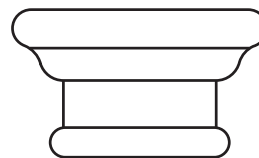
C25



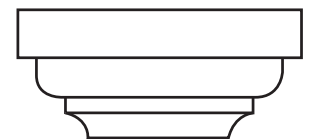
C26



C27

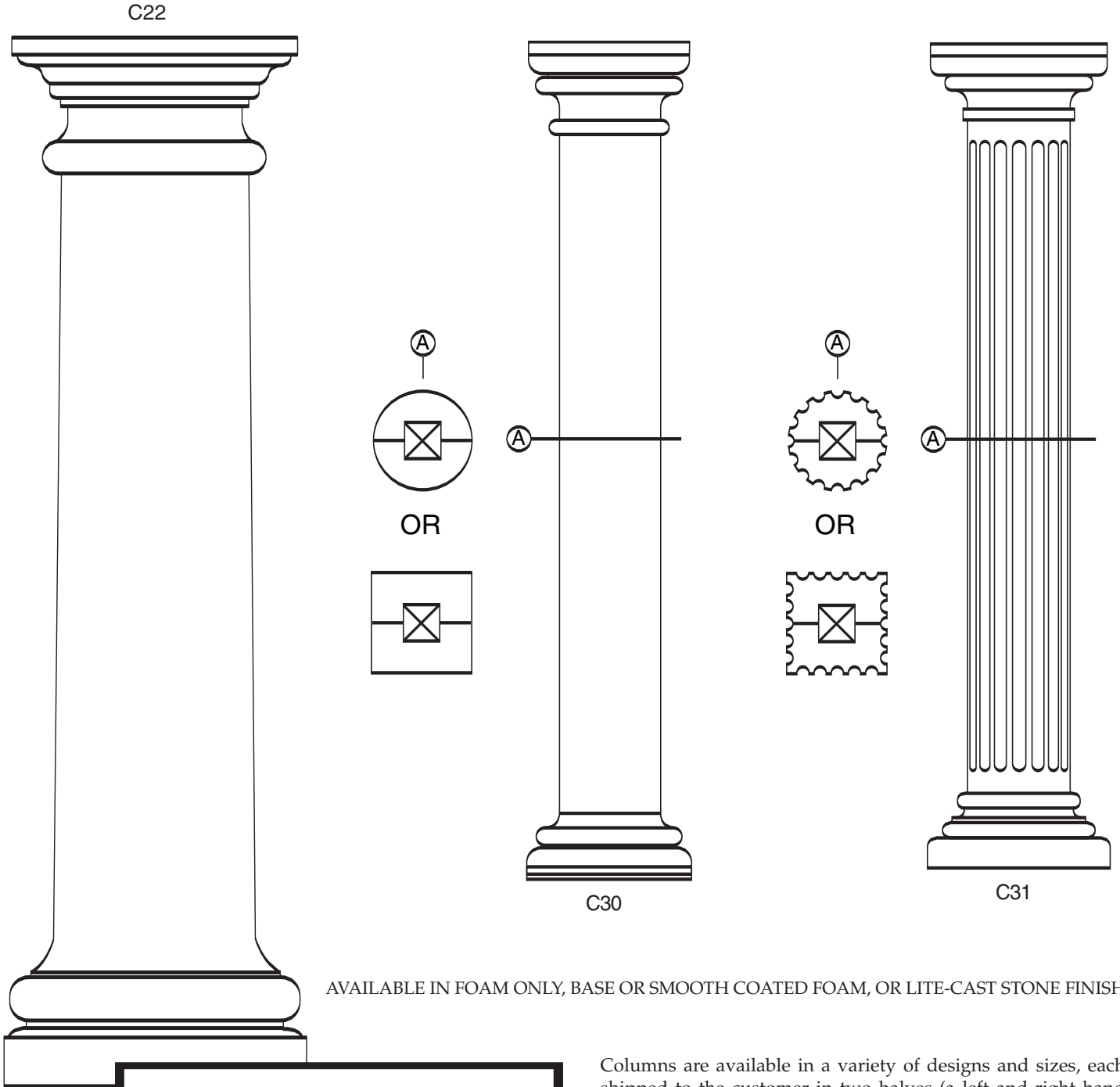


C28

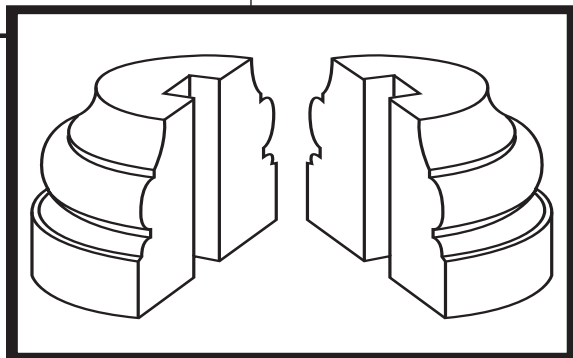


C29

# ROUND OR SQUARE COLUMNS



AVAILABLE IN FOAM ONLY, BASE OR SMOOTH COATED FOAM, OR LITE-CAST STONE FINISH



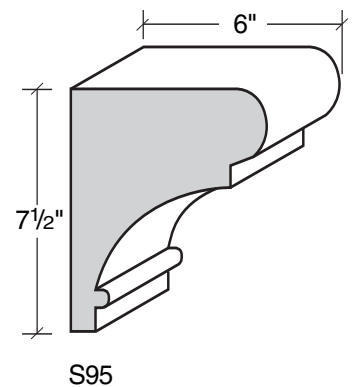
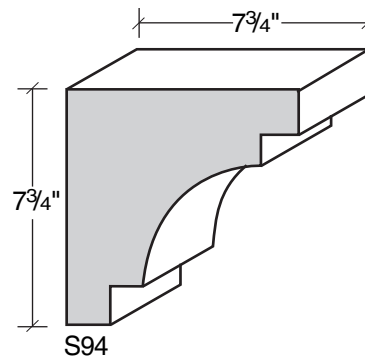
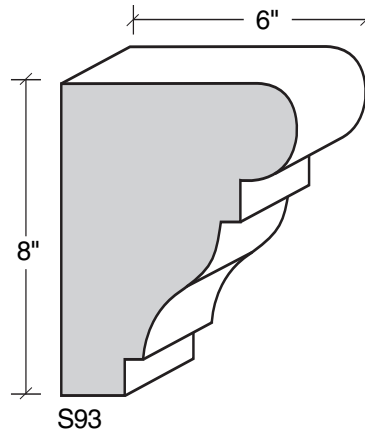
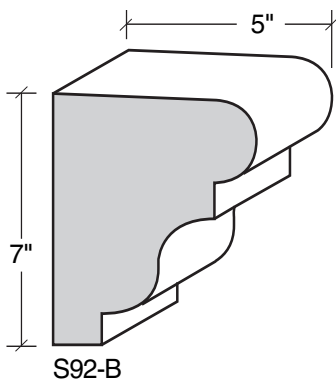
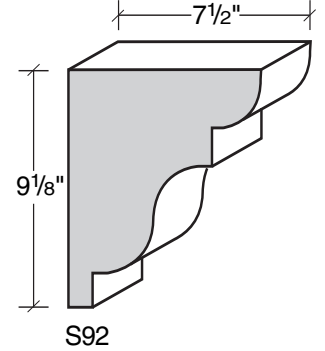
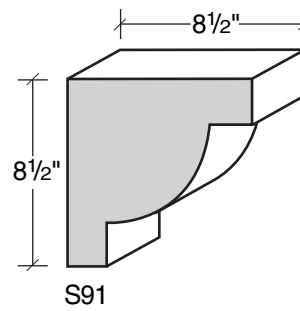
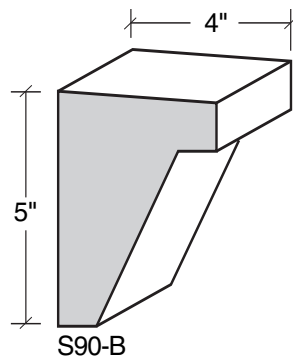
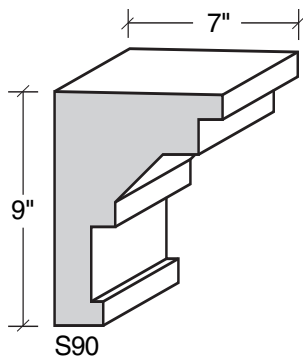
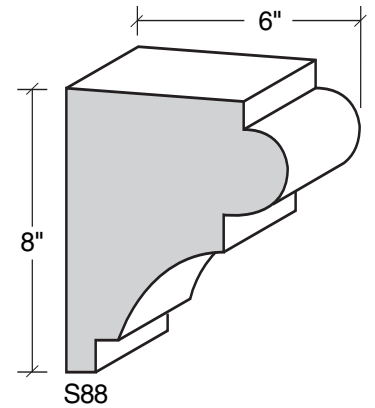
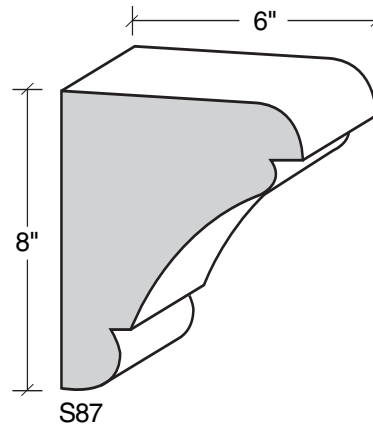
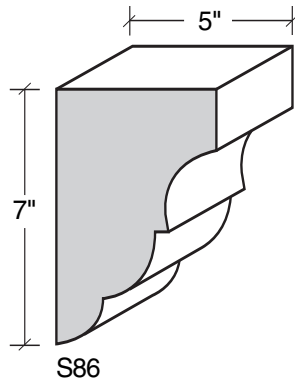
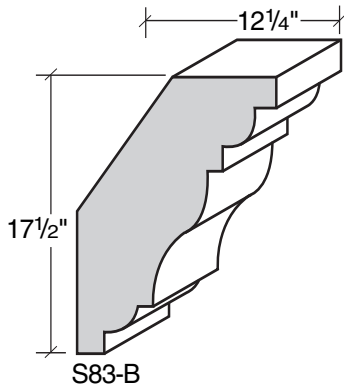
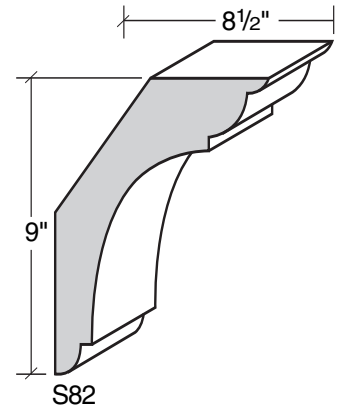
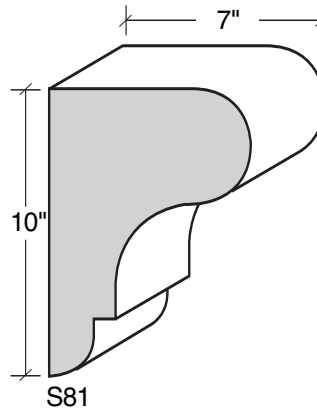
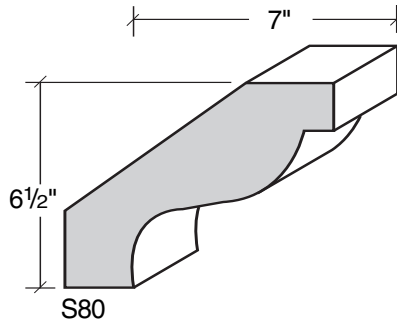
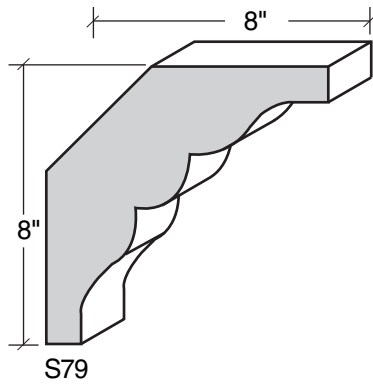
C22 BASE

Columns are available in a variety of designs and sizes, each shipped to the customer in two halves (a left and right hand side), with a center cut out to go around the support post.

The halves are attached to the center support, and to each other, with any panel adhesive that is compatible with EPS foam, such as PL200®, Liquid Nails®, Henry's® and Elmer's® panel adhesives. These are then finished using the finishing method described elsewhere in this catalog.

Columns can be straight or tapered, round or square, smooth or fluted. All columns, capitals and bases are custom produced to suit your dimensional needs.

# MID-BAND / WINDOW-DOOR / MOULDING DETAILS

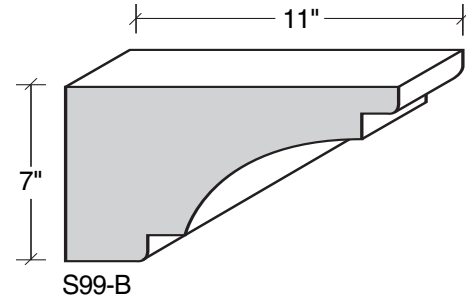
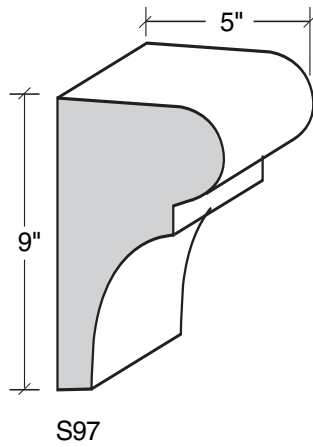
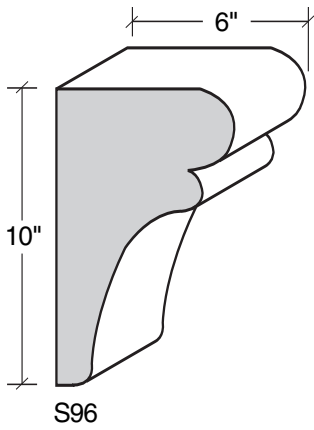


ALSO AVAILABLE IN LITE-CAST STONE FINISH

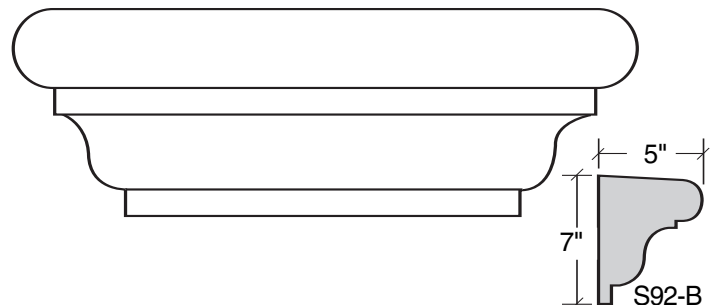
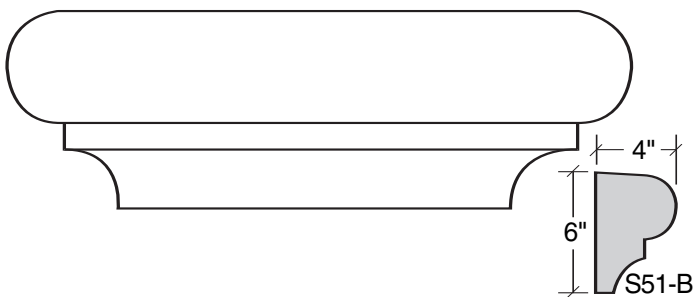
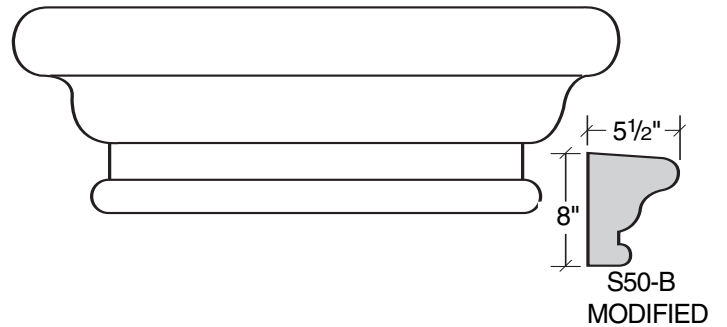
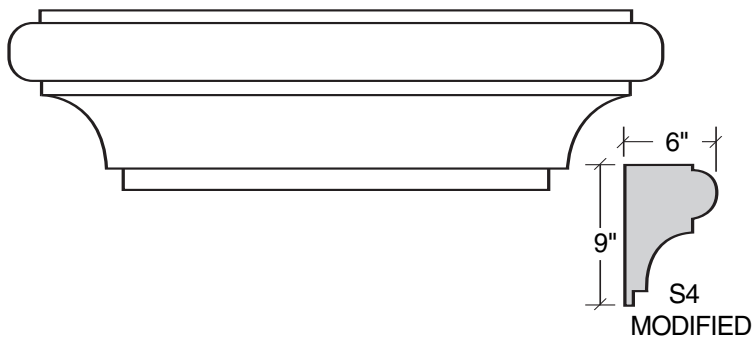
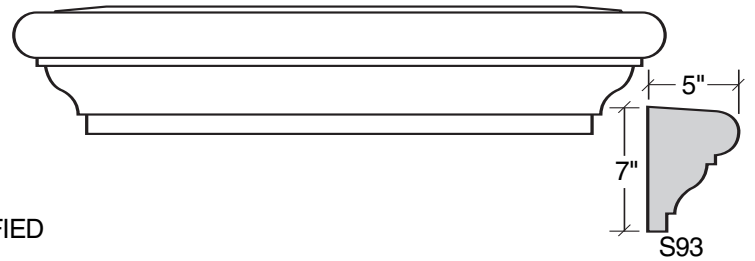
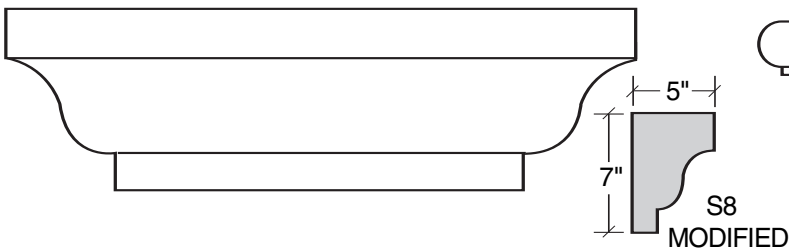
909-598-3856  
FAX 909-598-1491



# MID-BAND / WINDOW-DOOR / MOULDING DETAILS



## WINDOW SILLS / POT SHELVES



# QUATREFOILS / WINDOW SURROUNDS



S59-B



S71



S5



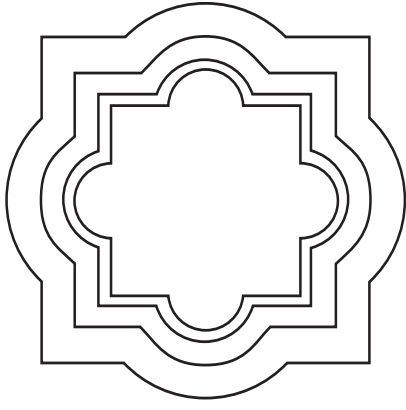
S15-B



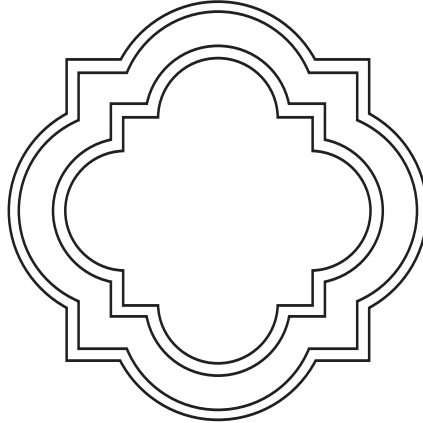
S51-B



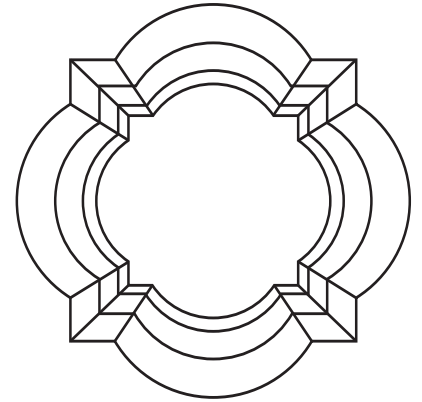
S52-B



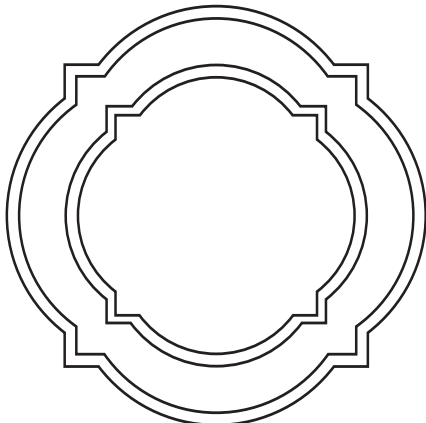
Q1



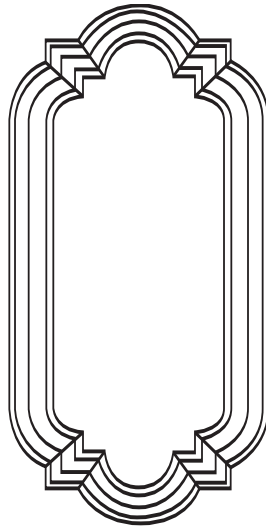
Q2



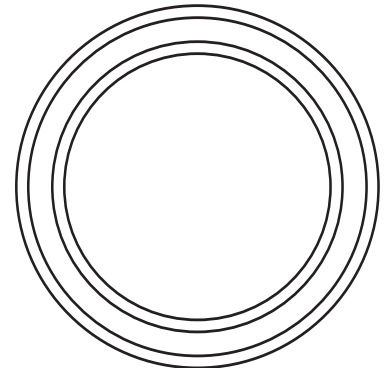
Q3



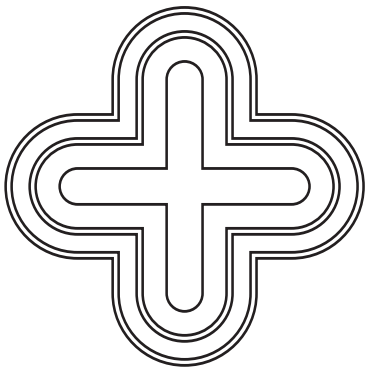
Q4



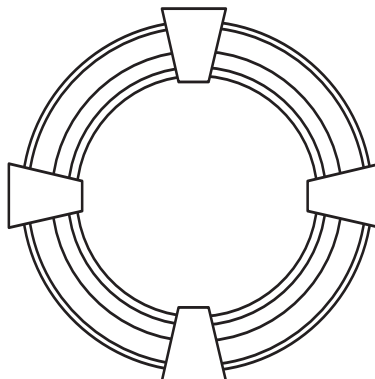
Q5



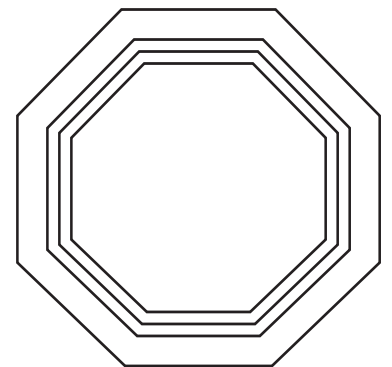
Q6



Q7

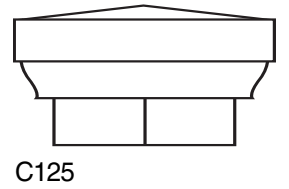
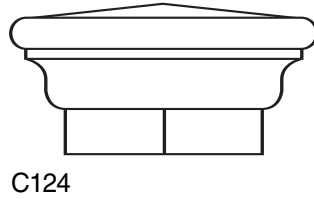
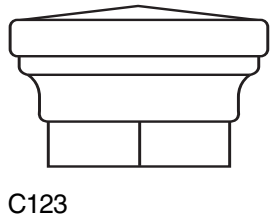
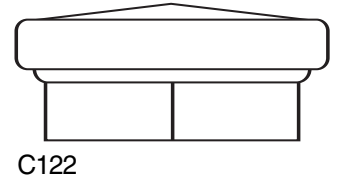
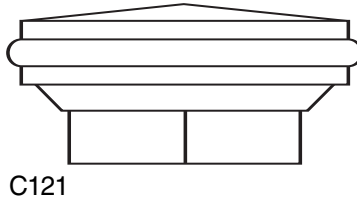
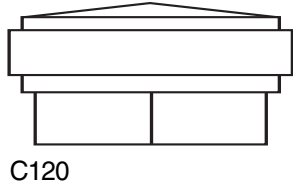
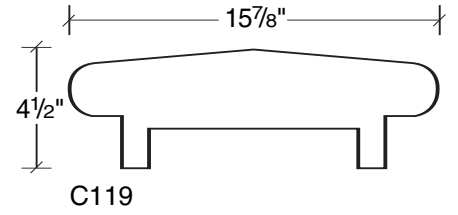
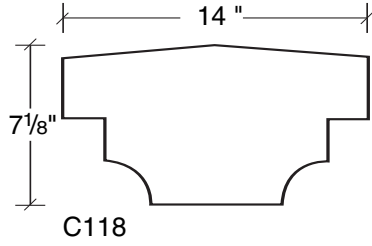
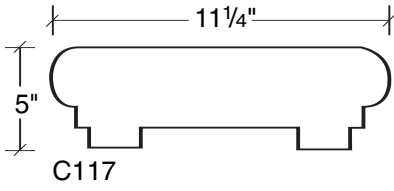


Q8



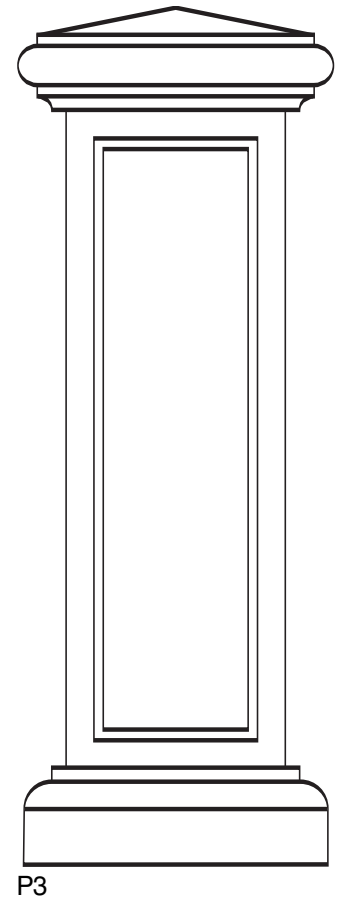
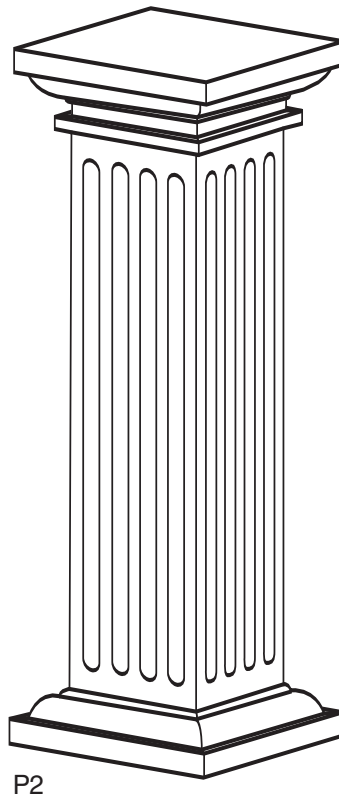
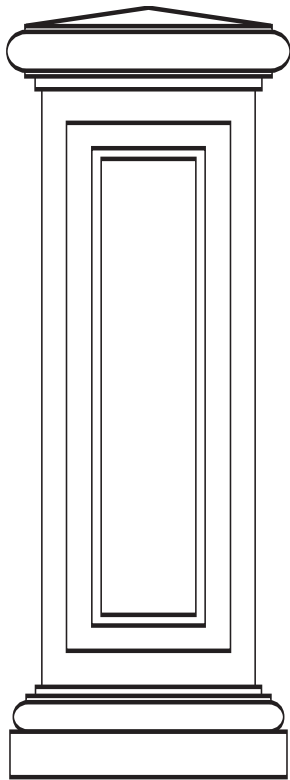
Q9

# COLUMN CAPS/BASES

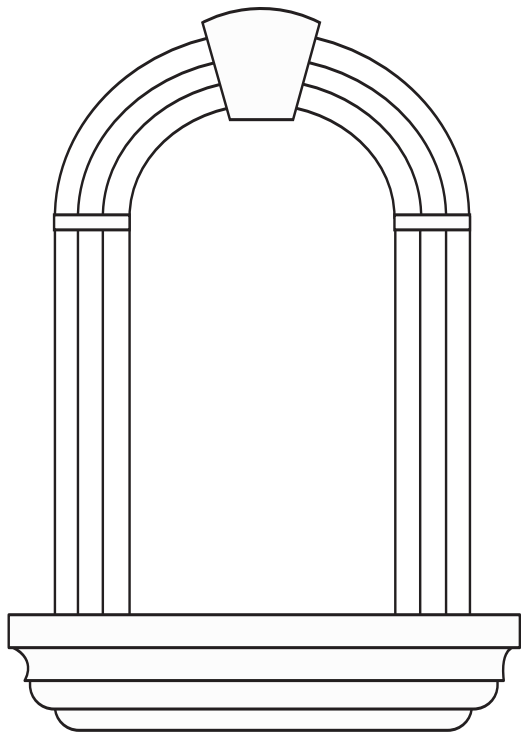


ALSO AVAILABLE IN LITE-CAST STONE FINISH

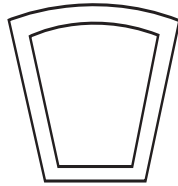
## SQUARE PILASTERS



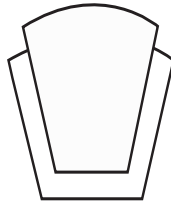
# SILL DETAILS / WINDOW & DOOR SURROUNDS



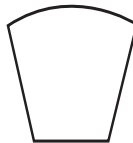
WD86



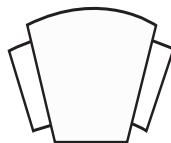
K1



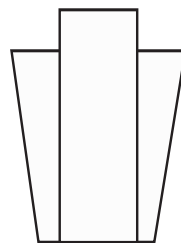
K2



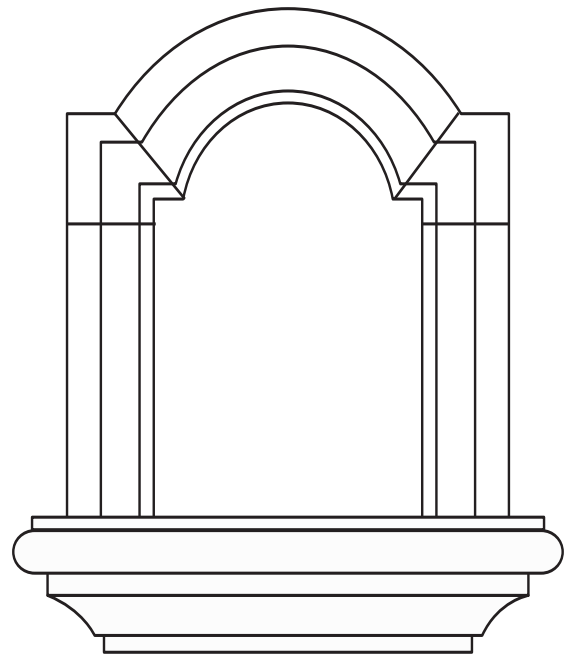
K3



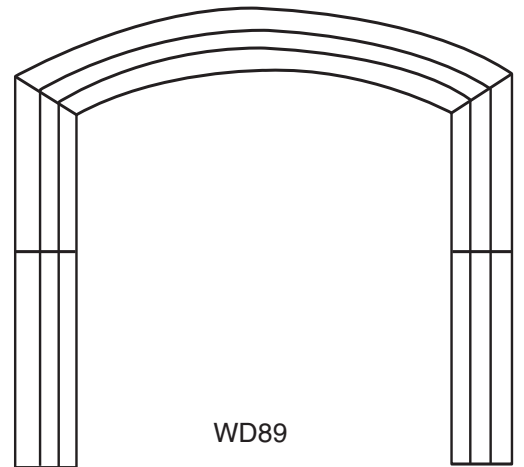
K4



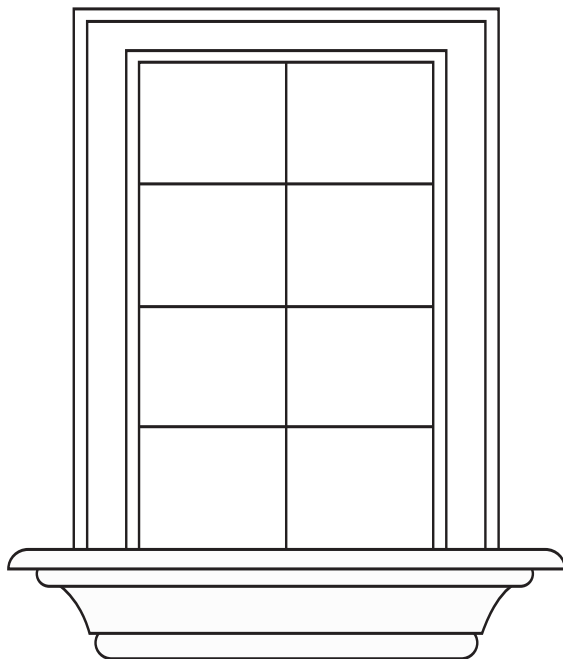
K5



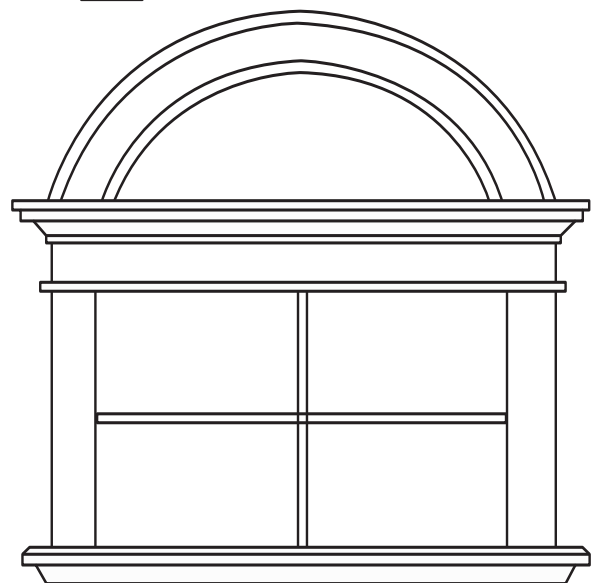
WD88



WD89



WD87



WD90-B

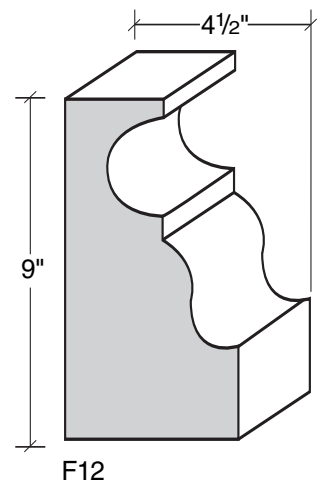
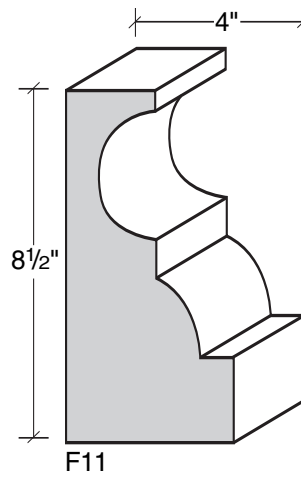
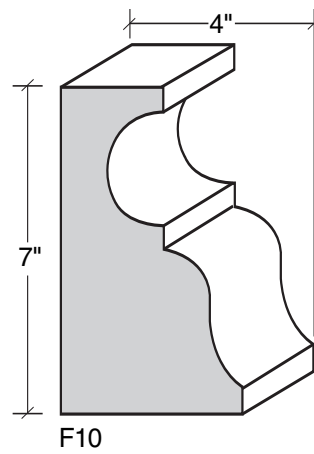
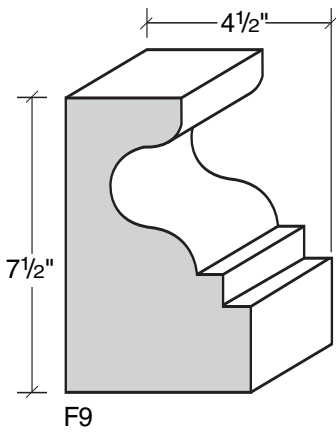
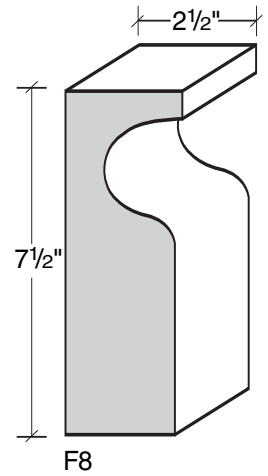
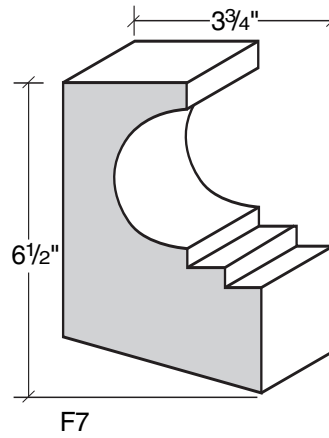
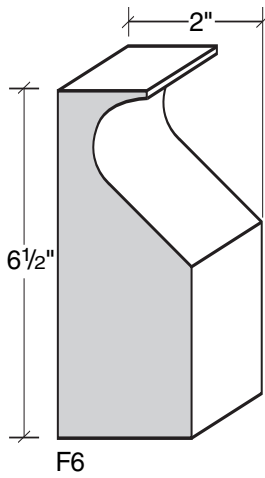
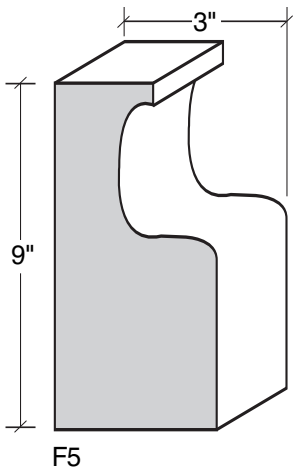
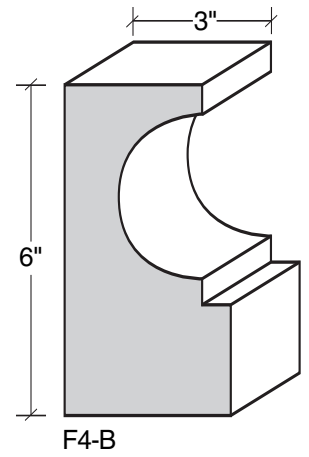
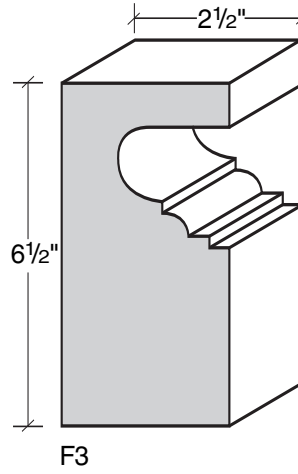
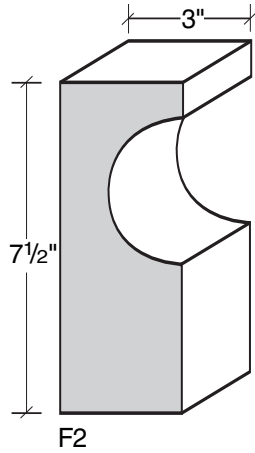
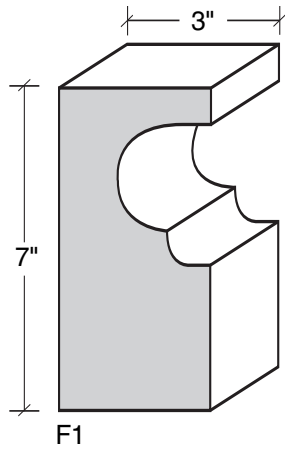


ALSO AVAILABLE IN LITE-CAST STONE FINISH

909-598-3856  
FAX 909-598-1491

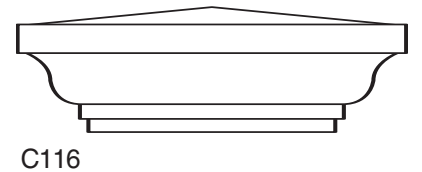
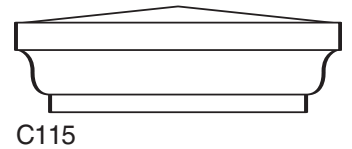
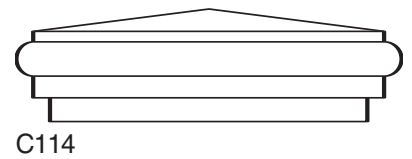
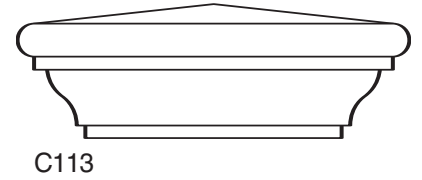
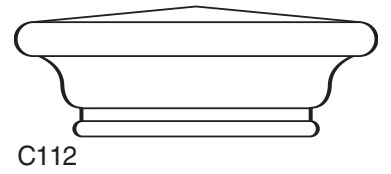
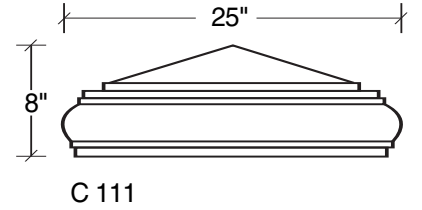
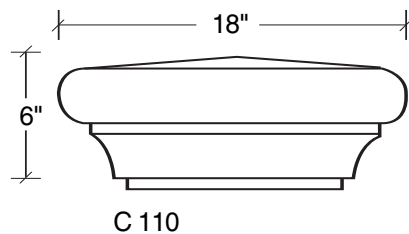
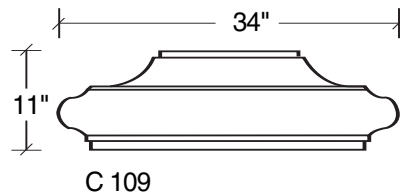
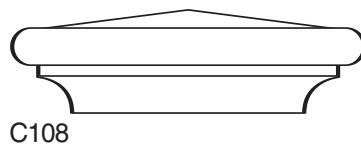
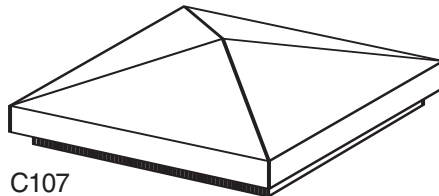
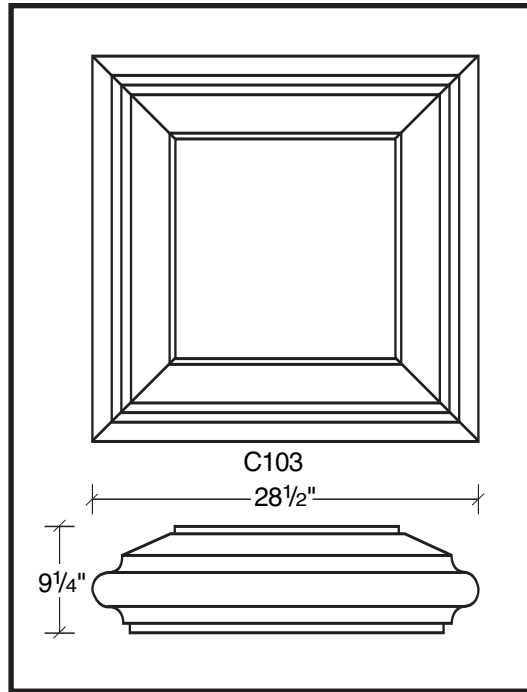
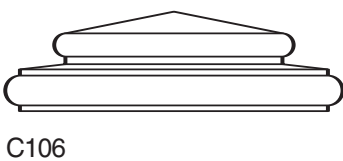
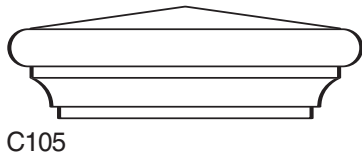
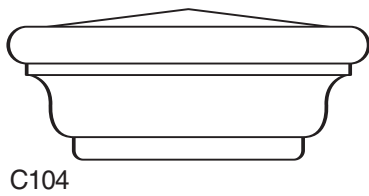
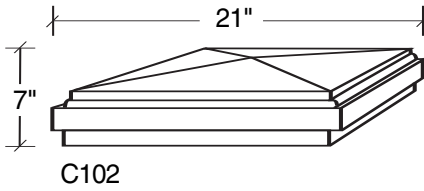
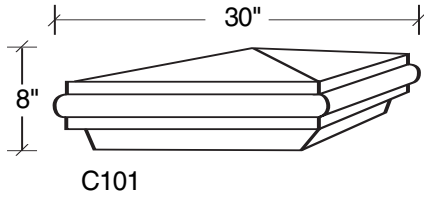
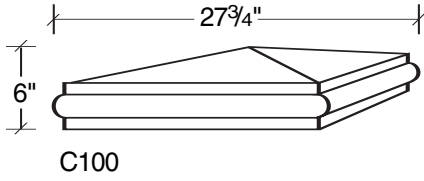


# FORM LINERS



ALL FORMS ALSO AVAILABLE IN BENDABLE/REUSABLE MATERIAL

# WALL / PILASTER CAPS



ALSO AVAILABLE IN LITE-CAST STONE FINISH

909-598-3856  
FAX 909-598-1491