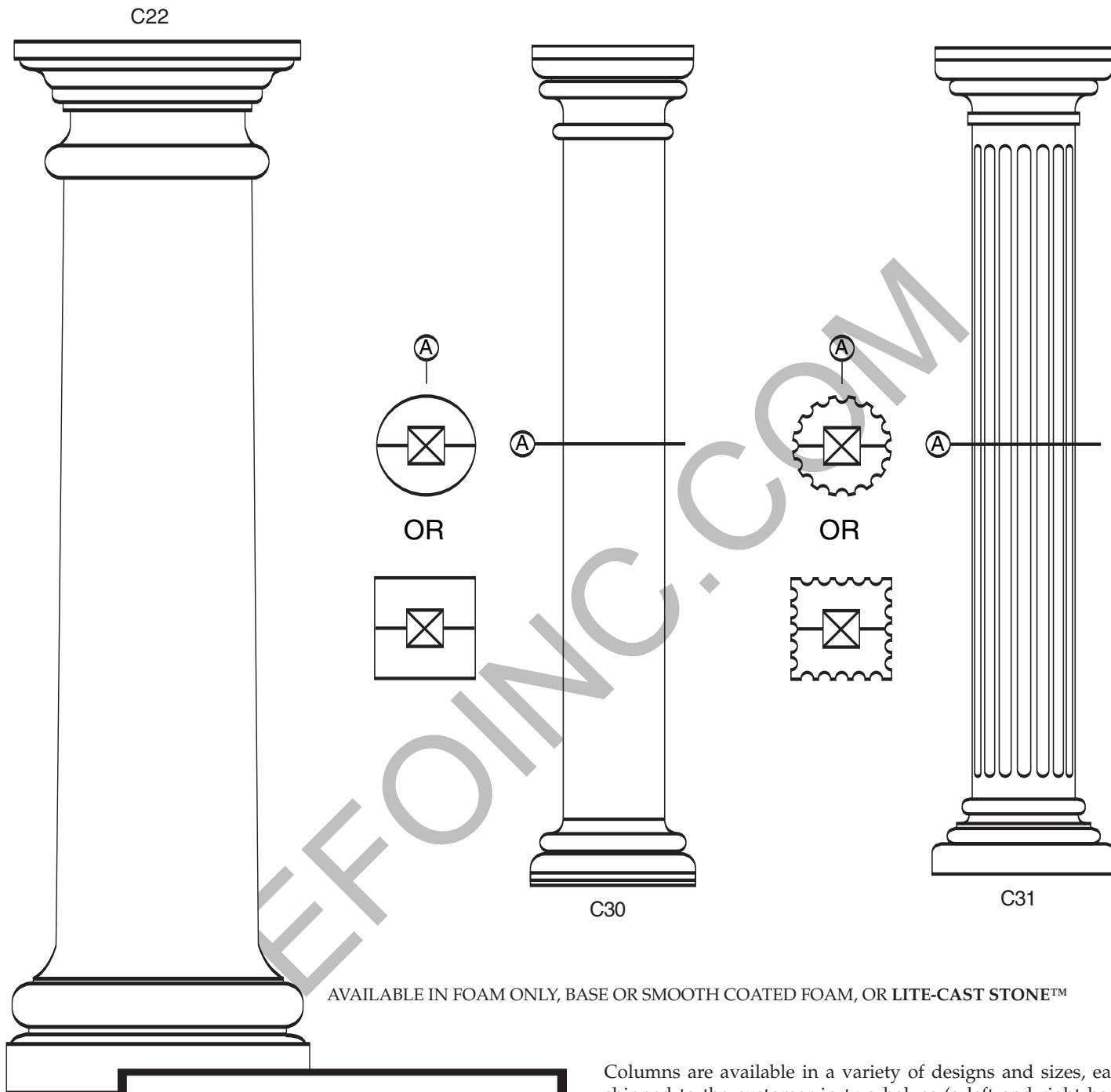
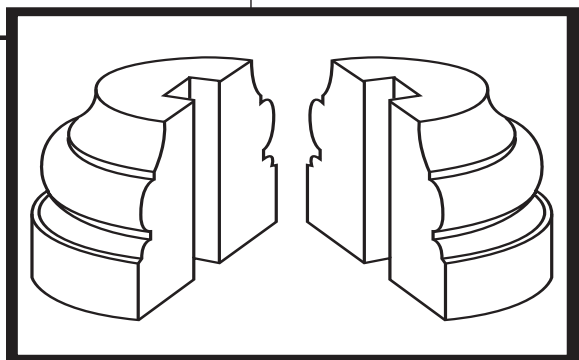


# ROUND OR SQUARE COLUMNS



AVAILABLE IN FOAM ONLY, BASE OR SMOOTH COATED FOAM, OR LITE-CAST STONE™



C22 BASE

Columns are available in a variety of designs and sizes, each shipped to the customer in two halves (a left and right hand side), with a center cut out to go around the support post.

The halves are attached to the center support, and to each other, with any panel adhesive that is compatible with EPS foam, such as PL200®, Liquid Nails®, Henry's® and Elmer's® panel adhesives. These are then finished using the finishing method described elsewhere in this catalog.

Columns can be straight or tapered, round or square, smooth or fluted. All columns, capitals and bases are custom produced to suit your dimensional needs.